



REYN AUDIO

Touring Series Professional



RAFALE 15

RL 15

Large Format Line Array

Dual 15" 3-way enclosure, Bi-amplified
(passive MF/HF crossover)

Product Code: 12316000209624

Bandwidth (-10dB) 35Hz-20KHz

**Maximum Output
Sound Pressure Level (SPL)** 149dB

Transducers LF: 2x15"
MF: 1x10"
HF: 3x3"

Directivity H 70°-90°-110°
V 5°

Weight 98 kg (216.1 lbs)



System data

Frequency Range(-10dB)
35Hz-20KHz

**Maximum Output
Sound Pressure Level (SPL)**
149dB

Speaker data

Power
LF: 2800W
MF/HF: 800W

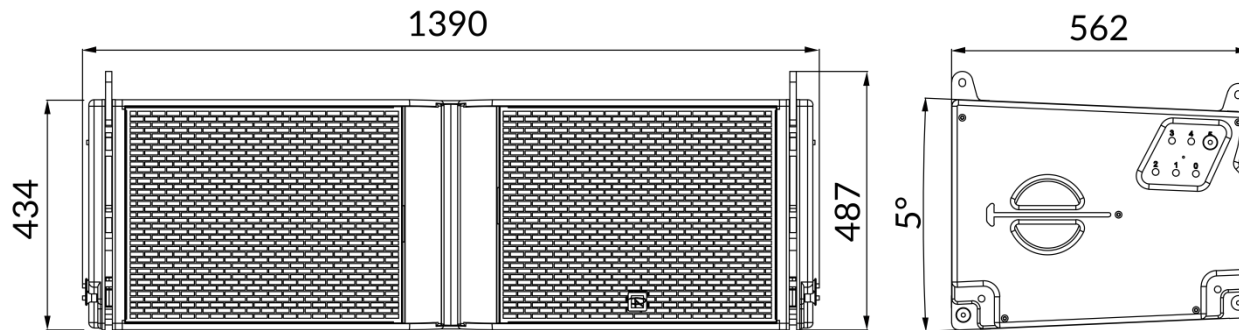
Nominal Impedance
LF: 4ohm
MF/HF: 8ohm

Transducers
LF: 2x15" neodymium
MF: 1x10" neodymium
HF: 3x3" neodymium

Nominal Directivity (-6dB)
Horizontal (70° -90° -110°) adjustable
Vertical (configurable via speaker count and array curvature)

Adjustable Splay Angle
0° 1° 2° 3° 4° 5°

Dimensional Drawing (mm)



RL15 Accessories



Tri-Frame

Product Code: 63584212

Spec: Adjust the horizontal angle of the line array $\pm 10^\circ$

Net weight: 10 kg (22 lbs)

TÜV SÜD Certificate No.:
64.190.25.3931.01-00



RL15 Bumper

Product Code: 63583483

Spec: Maximum capacity: 24 pieces RL15

Net weight: 105 kg (231.5 lbs)

TÜV SÜD Certificate No.: 64.190.24.0765.01-00



RL15 covert to RL2 Bumper

Product Code: 63583600

Spec: Maximum capacity: 12 pieces RL2

Net weight: 24 kg (52.9 lbs)

TÜV SÜD Certificate No. : 64.190.24.5068.01-00



RL15 Touring Cart

Product: 63583484

Spec: 4 in 1

N: 53 kg (116.8 lbs)



RL15 Protective Cover

Product Code: 3202000593

Spec: 4 in 1

Net Weight: 6 kg (13.2 lbs)



RL15 Bumper Flight Case

Product Code: 3205028057

Specifications: 2 RL15 bumpers and 2 tri plates

Net Weight: 110 Kg (242.5 lbs)



RL15 to RL2 Bumper

Flight Case

Product Code: 3205028065

Spec: 2 RL15 to RL2 Hanger and 2 hoists

Net weight: 46 kg (101.4 lbs)

RAFALE 1

RL1

Large Format Line Array

Dual 12" 3-way active enclosure, quad-amplified
(discrete dual LF)

Product Code: 12313100214799

Bandwidth (-10dB)	35Hz-20KHz
--------------------------	------------

Maximum Output Sound Pressure Level (SPL)	147dB
--	-------

Transducers	LF: 2x12" MF: 4x6.5" HF: 2x3"
--------------------	-------------------------------------

Directivity	H 90° -110° V 5°
--------------------	---------------------

Net Weight	102 kg (224.9 lbs)
-------------------	--------------------



System data

Frequency Range (-10dB)

35Hz-20KHz

Maximum Output

Sound Pressure Level (SPL)

147dB

Speaker data

Power

LF 1: 2000W

LF 2: 2000W

MF: 800W

HF: 440W

Nominal Impedance

LF 1: 8ohm

LF 2: 8ohm

MF: 8ohm

HF: 8ohm

Transducers

LF: 2x12" neodymium

MF: 4x6.5" neodymium

HF: 2x3" neodymium

Adjustable Splay Angle

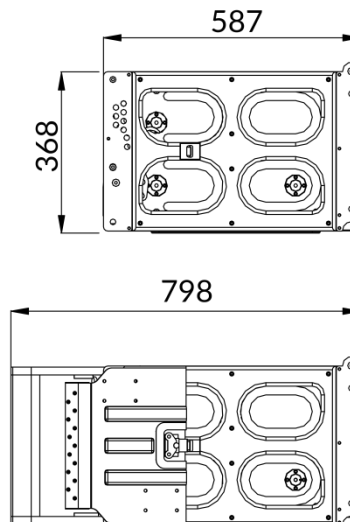
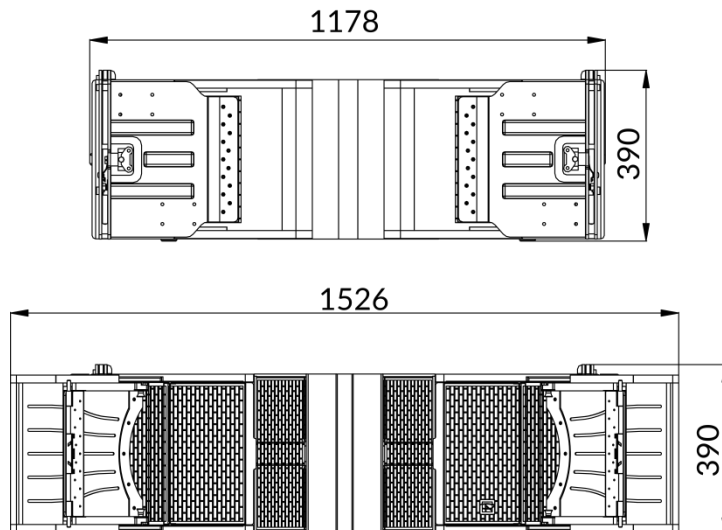
0° 0.5° 1° 1.5° 2° 2.5° 3° 4° 5°

Nominal Directivity (-6dB)

Horizontal (90° -110°)

Vertical (configurable via speaker count and array curvature)

Dimensional Drawing (mm)



RL1 Accessories



Tri-Frame

Product Code: 63584212

Spec: Adjust the horizontal angle of the line array $\pm 10^\circ$

Net weight: 10 kg (22 lbs)

TÜV SÜD Certificate No.: 64.190.25.3931.01-00



RL1 Bumper

Product Code: 12313100207276

Spec: Maximum capacity: 24 pieces RL1

Net weight: 92 kg (202.8 lbs)

TÜV SÜD Certificate No.: 64.190.24.0023.01-00



RL1 Compression Frame

Product Code: 63583507

Spec: Applicable 1 ton

Net weight: 21 kg (46.3 lbs)



RL1 Touring Cart

Product Code: 12313100201959

Spec: 4 in 1

Net weight: 37 kg (81.6 lbs)



RL1 Protective Cover

Product Code: 3202002024

Spec: 4 in 1

Net weight: 8 kg (17.6 lbs)



RL1 Bumper Flight Case

Product Code: 3205028015-A

Spec: 2 RL1 Hanger and 2 Tripod

Net weight: 97 kg (213.8 lbs)



RL1 Compression Frame Flight Case

Product Code: 3205028040

Spec: 2 RL1 Low Hanger and 2 Lever Hoist

Net wet: 55 kg (121.3 lbs)

RAFALE 2 RL2

Large Format Line Array

Dual 12" 3-way enclosure, Bi-amplified
(passive MF/HF crossover)

Product Code: 12316000209411

Band Width (-10dB)	40Hz-20KHz
---------------------------	------------

Maximum Output Sound Pressure Level (SPL)	147dB
--	-------

Transducers	LF: 2x12" MF: 1x10" HF: 2x3"
--------------------	------------------------------------

Directivity	H 70° -90° -110° V 8°
--------------------	--------------------------

Net Weight	71 kg (156.5 lbs)
-------------------	-------------------



System data

Frequency Range (-10dB)

40Hz-20KHz

Maximum Output

Sound Pressure Level (SPL)

147dB

Speaker data

Power

LF: 2800W

MF/HF: 800W

Nominal Impedance

LF: 6ohm

MF/HF: 8ohm

Transducers

LF: 2x12 " neodymium

MF: 1x10" neodymium

HF: 2x3" neodymium

Nominal Directivity (-6dB)

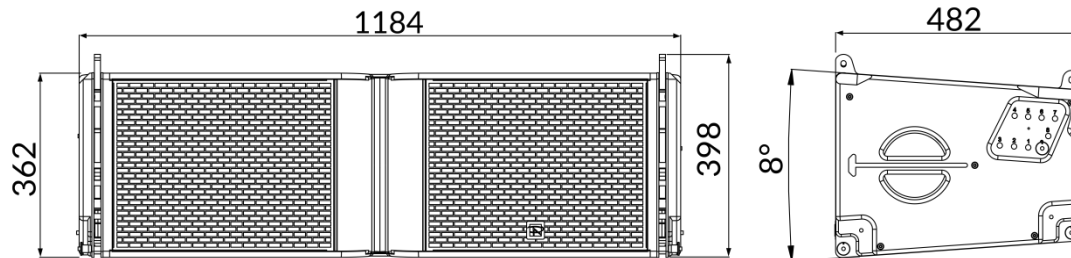
Horizontal (70°, 90°, 110°)

Vertical (configurable via speaker count and array curvature)

Adjustable Splay Angle

0° 1° 2° 3° 4° 5° 6° 7° 8°

Dimensional Drawing (mm)



RL2 Accessories



Tri-Frame

Product Code: 12313100203999

Spec: Adjust the horizontal angle of the line array $\pm 10^\circ$

Net weight: 10 kg (22 lbs)

TÜV SÜD Certificate No.: 64.190.25.3931.01-00



RL2 Bumper (include 1 AL1 Remote Unit)

Product Code: 63583494

Spec: Maximum capacity: 24 pieces RL2

Net weight: 71 kg (156.5 lbs)

TÜV SÜD Certificate No.: 64.190.24.0429.01-01



RL2 Compression Frame

Product Code: 63583508

Spec: Applicable 1 ton

Net weight: 18 kg (39.7 lbs)



RL2 Touring Cart

Product Code: 63583864

Spec: 4 in 1

Net weight: 55 kg (121.3 lbs)



RL2 Touring Cart Stand

(optional)

Product Code: 63583904



RL2 Protective Cover

Product Code: 3202000594

Spec: 4 in 1

Net weight: 12 kg (26.5 lbs)



RL2 Bumper Flight Case

Product Code: 3205028058

Spec: 2 RL2 Hanger and 2 Tripod

Net weight: 87 kg (191.8 lbs)



RL2 Compression Flight Case

Product Code: 3205028059

Spec: 2 RL2 Lower Hanger and 2 Lever Hoist

Net weight: 53 kg (146.8 lbs)

RAFALE 3

RL3

Med-Size Line Array

Dual 10" 3-way enclosure, Bi-amplified
(passive MF/HF crossover)

Product Code: 12316100208141

Bandwidth (-5dB) 55Hz-20KHz

**Maximum Output
Sound Pressure Level (SPL)** 142dB

Transducers LF: 2x10"
MF: 1x8"
HF: 2x2"

Directivity H 90° -110°
V 10°

Net weight 44 kg (97 lbs)



System data

Frequency Range (-5dB)

55Hz-20KHz

Maximum Output

Sound Pressure Level (SPL)

142dB

Speaker data

Power

LF: 1600W

MF/HF: 500W

Nominal Impedance

LF: 8ohm

MF/HF: 16ohm

Transducers

LF: 2x10 " neodymium

MF: 1x8" neodymium

HF: 2x2" neodymium

Nominal Directivity (-6dB)

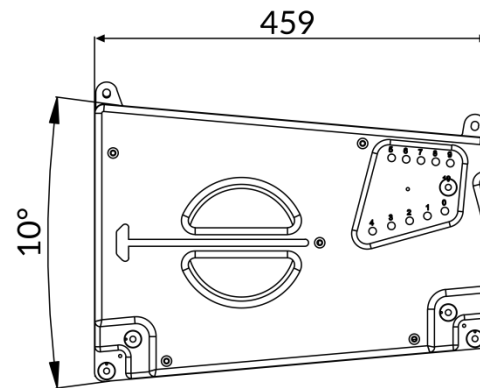
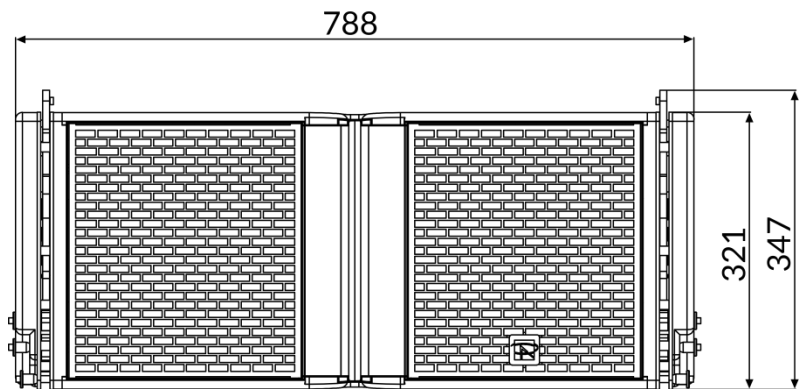
Horizontal (70°, 90°, 110°)

Vertical (configurable via speaker count and array curvature)

Adjustable Splay Angle

0° 1° 2° 3° 4° 5° 6° 7° 8° 9° 10°

Dimensional Drawing (mm)



RL3 Accessories



RL3 Bumper (include 1 AL1 Remote Unit)

Product Code: 63584154

Spec: Maximum capacity: 24 pieces RL3/
24 pieces FS3

Net weight: 46 kg (101.4 lbs)

TÜV SÜD Certificate No.: 64.190.26.3099.01-00



RL3 Touring Cart

Product Code: 63584200

Spec: 4 in 1

Net weight: 54 kg (119 lbs)



RL3 Flight Case

Product Code: 3205028061

Spec: 2 in 1

Net weight: 42 kg (92.6 lbs)



RL3 Protective Cover

Product Code: 3202000605

Spec: 4 in 1

Net weight: 3 kg (6.6 lbs)



RL3 Bumper Flight Case

Product Code: 3205028066

Spec: 2 in 1

Net weight: 40 kg (88.2 lbs)

RAFALE 4 RL4

Compact Line Array
Dual 8" 2-way passive enclosure
(built-in crossover)
Product Code: 12321500200001

Band Width (-5dB) 60Hz-20KHz

**Maximum Output
Sound Pressure Level (SPL)** 139dB

Transducers LF: 2x8"
HF: 1x3"

Directivity H(90°-110°)
V 10°

Net Weight 20 Kg (44.1 lbs)



System data

Frequency Range (-5dB)

60Hz-20KHz

Maximum Output

Sound Pressure Level (SPL)

139dB

Speaker data

Power

800W

Nominal Impedance

8ohm

Transducers

LF: 2x8 " neodymium

HF: 1x3" neodymium

Nominal Directivity (-6dB)

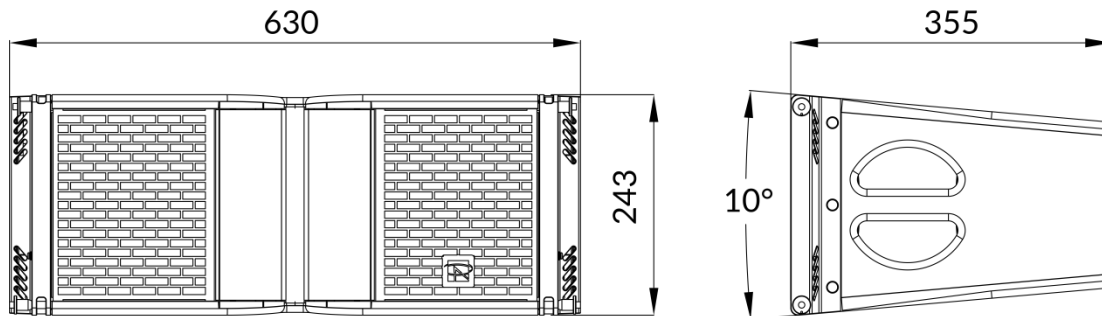
Horizontal (90°, 110°)

Vertical (configurable via speaker count and array curvature)

Adjustable Splay Angle

0° 1° 2° 3° 4° 5° 6° 7° 8° 9° 10°

Dimensional Drawing (mm)



RL4 Accessories



RL4 Bumper

Product Code: 63584082

Spec: Maximum capacity: 24 pieces RL4/24
pieces FS4

Net weight: 11 kg (24.3 lbs)

TÜV SÜD Certificate No.: 64.190.26.3101.01-00



RL4 Flight Case

Product Code: 3205028056

Spec: 4 in 1

Net weight: 44 kg (97 lbs)

COBRA 8

RX 8

Point Source Speakers

High-Performance Dual 8" 2-way passive built-in crossover

Product Code: 12322500208376

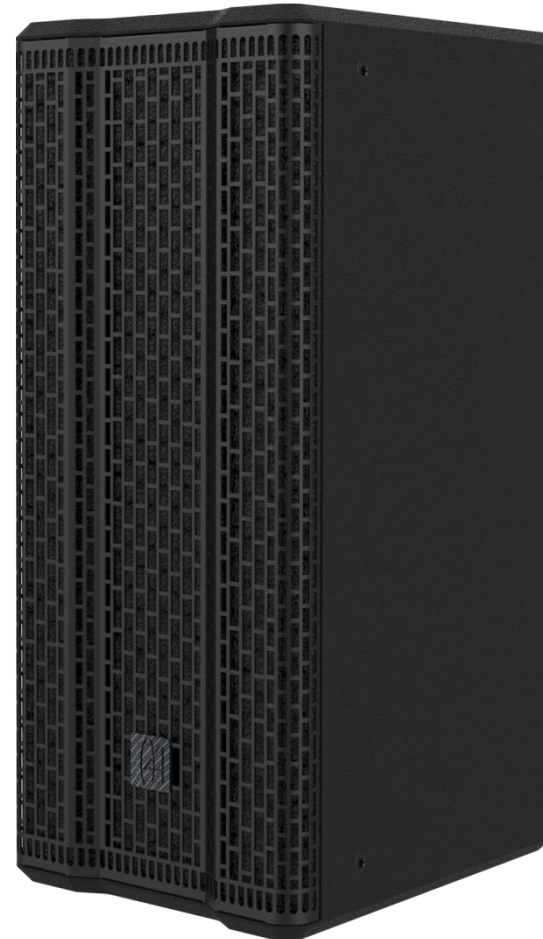
Band Width (-5dB) 70Hz-19KHz

**Maximum Output
Sound Pressure Level (SPL)** 134dB

Transducers LF: 2x8"
HF: 1x3".

Directivity H: 75°
V: 40° (rotatable)

Net weight 16 Kg (35.3 lbs)



System data

Frequency Range (-5dB)
70Hz-19KHz

**Maximum Output
Sound Pressure Level (SPL)**
134dB

Speaker data

Power
800W

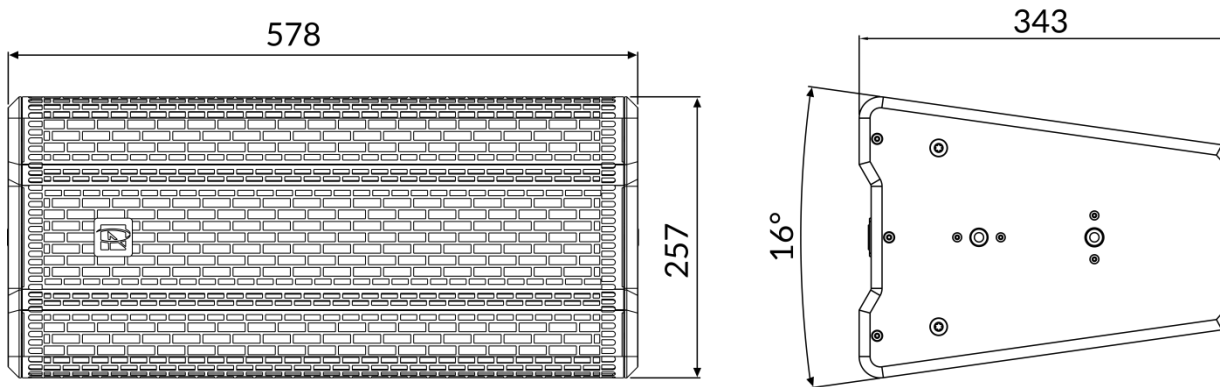
Nominal Impedance
8ohm

Transducers
LF: 2x8 " neodymium
HF: 1x3" neodymium

Nominal Directivity (-6dB)
Horizontal (75°) rotatable
Vertical (40°) rotatable

Adjustable Splay Angle
Fixed 15° Trapezoidal Angle

Dimensional Drawing (mm)



RX8 Accessories



RX8 Horizontal Hanger

Product Code: 12322500208389

Spec: The maximum load is one RX8

Net weight: 1.2 Kg (2.6 lbs)



RX8 Vertical Hanger (Clamp)

Product Code: 63584214

Spec: The maximum load is one RX8

Net weight: 7 kg (15.4 lbs)



RX8 Vertical Hanger (Support frame)

Product Code: 63584299

Spec: The maximum load is one RX8

Net weight: 7 kg (15.4 lbs)



RX8 Flight Case

Product Code: 3205028062

Spec: 4 in 1

Net weight: 40 kg (88.2 lbs)



RX8 Speaker & Hanger

Flight Case

Product Code: 3205028067

Spec: 4 pieces RX8 and 2 pieces RX8 Hanger

Net weight: 51 kg (112.4 lbs)



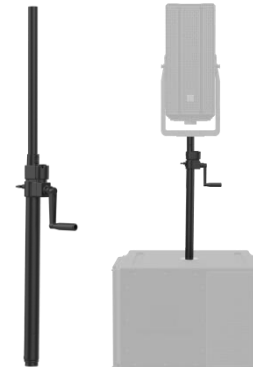
Tripod Stand

Product Code: 3002004716

Compatible Models: RX8, RX12, M1

Lifting range: 1330mm~2210mm (manual adjustment)

Interface: 35mm universal interface



Straight Bar Stand

Product Code: 3002004717

Compatible Models: RX8, RX12, M1

Lifting range : 810mm~1260mm(manual adjustment)

Interface: 35mm universal interface

COBRA 12

RX 12

Point Source Speakers

High-Performance Dual 12" 3-way passive built-in crossover

Product Code: 12316900205068

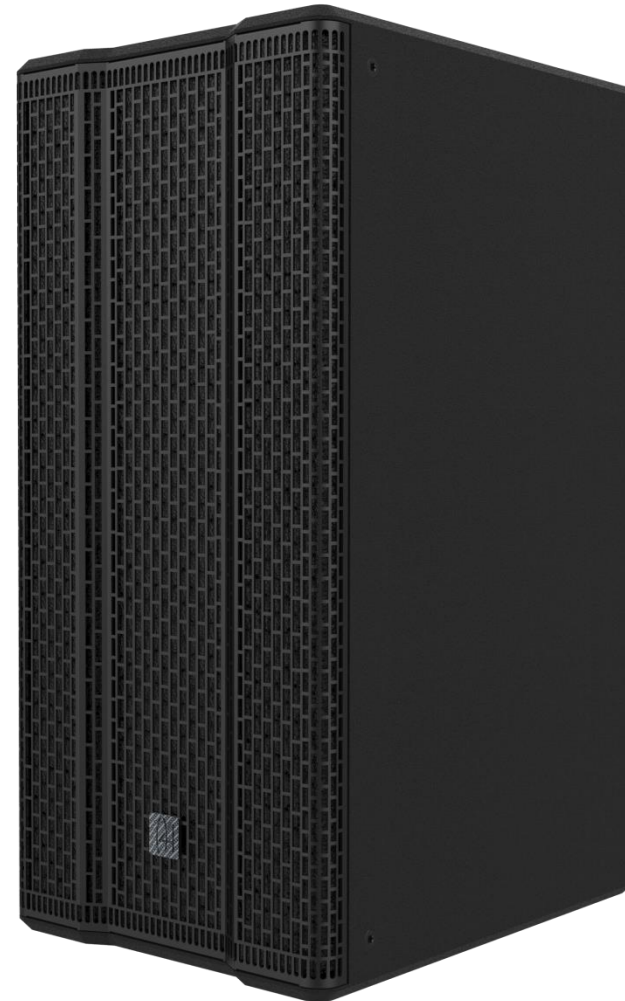
Band Width (-5dB) 68Hz-19KHz

**Maximum Output
Sound Pressure Level (SPL)** 141dB

Transducers LF: 2x12"
MF: 1x8"
HF: 1x3"

Directivity H: 75°
V: 40° (rotatable)

Net Weight 38 Kg (83.8 lbs)



System data

Frequency Range (-5dB)

68Hz-19KHz

Maximum Output

Sound Pressure Level (SPL)

141dB

Speaker data

Power

1600W

Nominal Impedance

8ohm

Transducers

LF: 2x12 " neodymium

LF: 1x8" neodymium

HF: 1x3" neodymium

Nominal Directivity (-6dB)

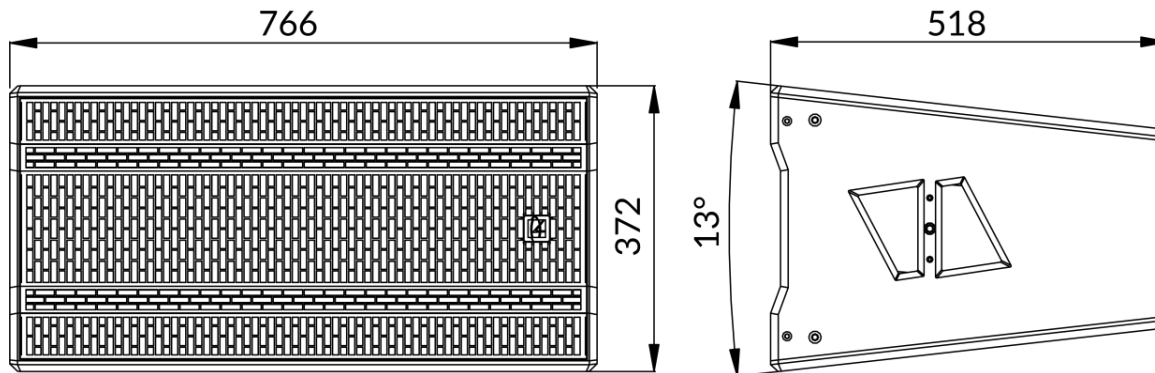
Horizontal (75°) rotatable

Vertical (40°) rotatable

Adjustable Splay Angle

Fixed 13° Trapezoidal Angle

Dimensional Drawing (mm)



RX12 Accessories



RX12 Horizontal Hanger

Product Code: 12316900208824

Specifications: The maximum load is one RX12

Net Weight: 4 Kg (8.8 lbs)



RX12 Vertical Hanger (Clamp)

Product Code: 63584215

Specifications: The maximum load is one RX12

Net Weight: 9 kg (19.8 lbs)



RX12 Vertical Hanger (Support frame)

Product Code: 63584298

Spec: The maximum load is one RX12

Net Code: 9 kg (19.8 lbs)



RX12 Flight Case

Product Code: 3205028033

Spec: 2 in 1

Net weight: 46 kg (101.4 lbs)



RX12 Hanger Flight Case

Product Code: 3205028064

Spec: 4 pieces RX12 and 2 pieces RX12 Hanger

Net weight: 61 kg (134.5 lbs)



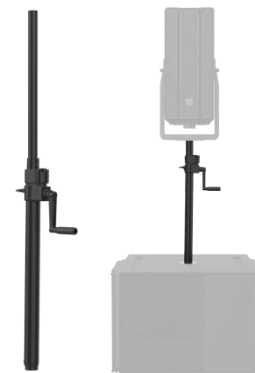
Tripod Stand

Product Code: 3002004716

Compatible Models: RX8, RX12, M1

Lifting range: 1330mm~2210mm (manual adjustment)

Interface: 35mm universal interface



Straight Bar Stand

Product Code: 3002004717

Compatible Models: RX8, RX12, M1

Lifting range : 810mm~1260mm(manual adjustment)

Interface: 35mm universal interface

ABRAMS 1

M1

Monitor speakers

High-Performance Dual 15" 2-way passive built-in crossover

Product Code: 12318100206043

Band Width (-5dB) 55Hz-18KHz

**Maximum Output
Sound Pressure Level (SPL)** 134.4dB

Transducers LF: 1x15"
HF: 1x3"

Directivity H:80°
V: 50° (rotatable)

Net Weight 23 Kg (50.7lbs)



System data

Frequency Range (-5dB)

55 Hz-18 KHz

Maximum Output

Sound Pressure Level (SPL)

134.4dB

Speaker data

Power

1400W

Nominal Impedance

8ohm

Transducers

LF: 1x15 " neodymium

HF: 1x3" neodymium

Adjustable Splay Angle

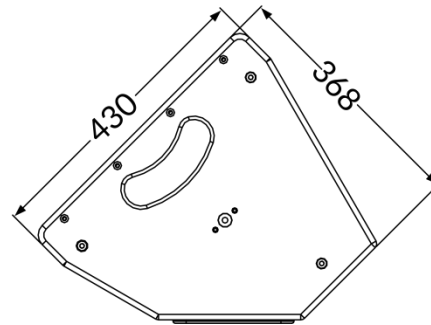
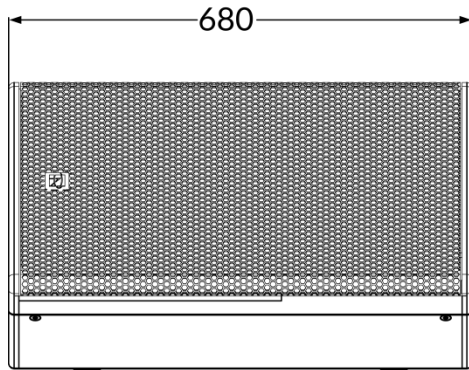
Dual-angle floor monitor (45° or 75° aiming)

Nominal Directivity (-6dB)

Horizontal (80°) rotatable

Vertical (50°) rotatable

Dimensional Drawing (mm)



M1 Accessories



M1 Hanger

Product Code: 12318100209297

Specifications: The maximum load is one M1

Net Weight: 4 Kg (8.8 lbs)



M1 Protective Cover

Product Code: 3202000411

Spec: 1 in 1

New weight: 1.3 kg (2.9 lbs)



M1 Flight Case

Product Code: 3205028068

Spec: 2 in 1

Net weight: 42 kg (92.6 lbs)

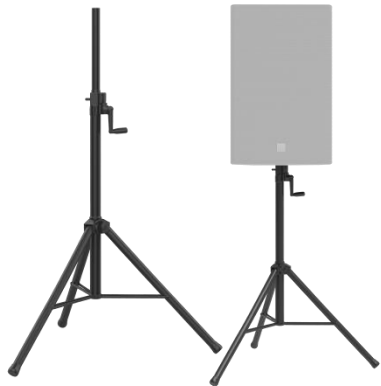


M1 Speaker & Hanger Flight Case

Product Code: 3205028069

Spec: 2 M1 and 2 M1 Hanger

Net weight: 52 kg (114.6 lbs)



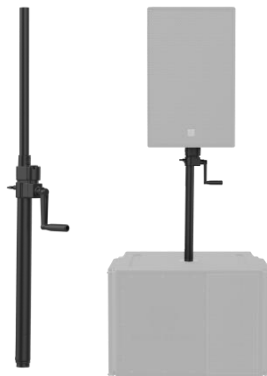
Tripod Stand

Product Code: 3002004716

Compatible Models: RX8, RX12, M1

Lifting range: 1330mm~2210mm (manual adjustment)

Interface: 35mm universal interface



Straight Bar Stand

Product Code: 3002004717

Compatible Models: RX8, RX12, M1

Lifting range : 810mm~1260mm(manual adjustment)

Interface: 35mm universal interface

RAFALE 3S

FS3

Single 18" Premium High-Power Subwoofer

Product Code: 12319600208140

Low Frequency Limit (-10dB) 35Hz

**Maximum Output
Sound Pressure Level (SPL)** 138dB

Transducer 1x18"

Directivity Standard

Net weight 45 Kg (99.2 lbs)



System data

Low Frequency Limit (-10dB)
35Hz

**Maximum Output
Sound Pressure Level (SPL)**
138dB

Speaker data

Power
3000W

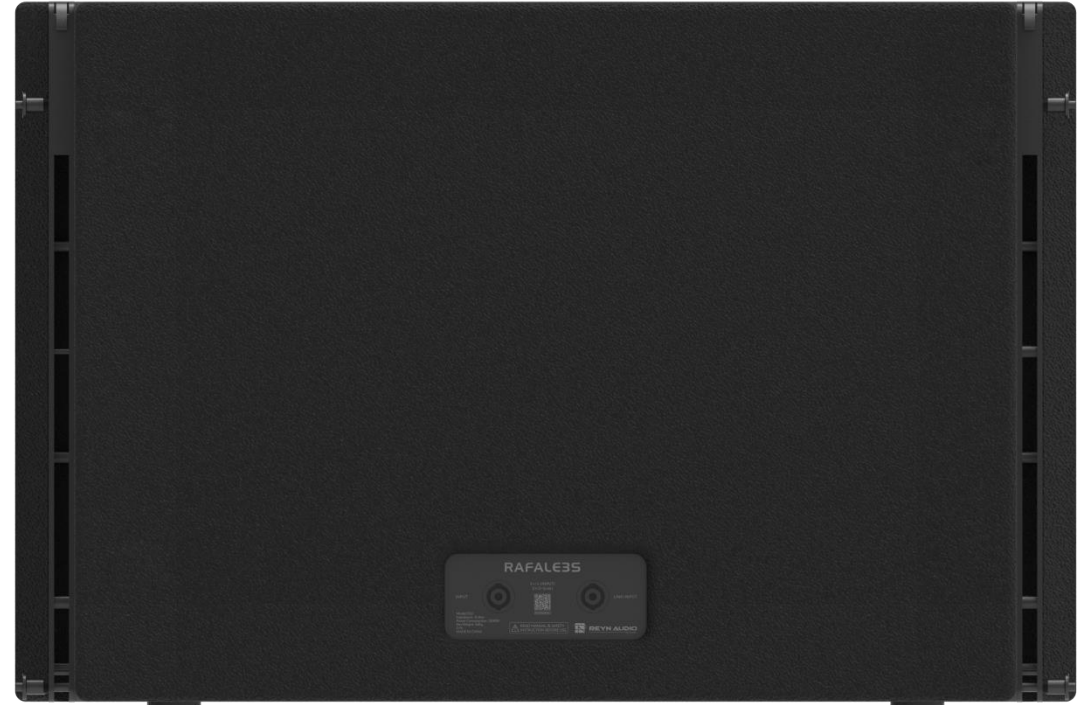
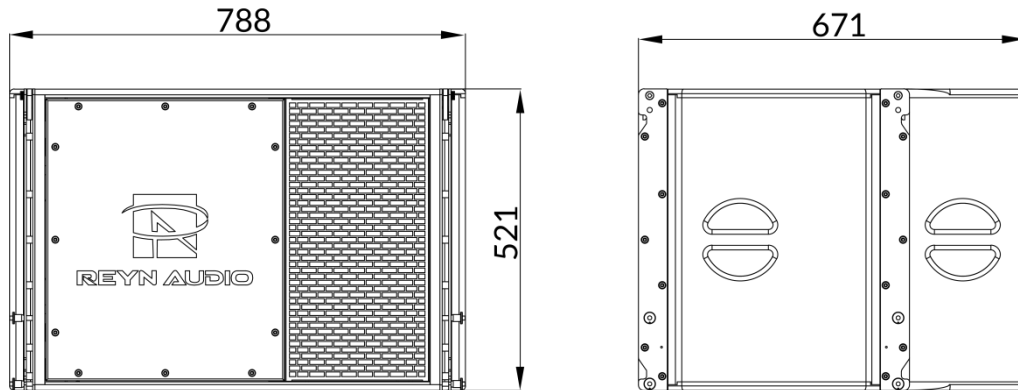
Nominal Impedance
8ohm

Transducers
LF: 1x15 " neodymium
HF: 1x3" neodymium

Nominal Directivity (-6dB)
Horizontal (80°) rotatable
Vertical (50°) rotatable

Adjustable Splay Angle
Square Enclosure, Fixed Angle

Dimensional Drawing (mm)



FS3 Accessories



RL3 Bumper

Product Code: 63584154

Spec: Maximum capacity: 24 pieces RL3/24 pieces FS3

Net weight: 46 kg (101.4 lbs)

TÜV SÜD Certificate No.: 64.190.26.3099.01-00



RL3 Bumper Flight Case

Product Code: 3205028066

Spec: 2 in 1

Net weight: 43 kg (94.8 lbs)



FS3 Protective Cover

Product Code: 3202000597

Spec: 2 in 1

Net weight: 3 kg (6.6 lbs)



FS3 Flight Case

Product Code: 3205028052

Spec: 1 in 1

Net weight: 55 kg (121.3 lbs)

RAFALE 4S

FS4

Single 18" Premium High-Power Subwoofer
Product Code: 12321600200001

Low Frequency Limit (-10dB)	37Hz
------------------------------------	------

Maximum Output Sound Pressure Level (SPL)	138dB
--	-------

Transducer	1x18"
-------------------	-------

Directivity	Standard
--------------------	----------

Net Weight	44 Kg (97 lbs)
-------------------	----------------



System data

Low Frequency Limit (-10dB)
37Hz

**Maximum Output
Sound Pressure Level (SPL)**
138dB

Speaker data

Power
2400W

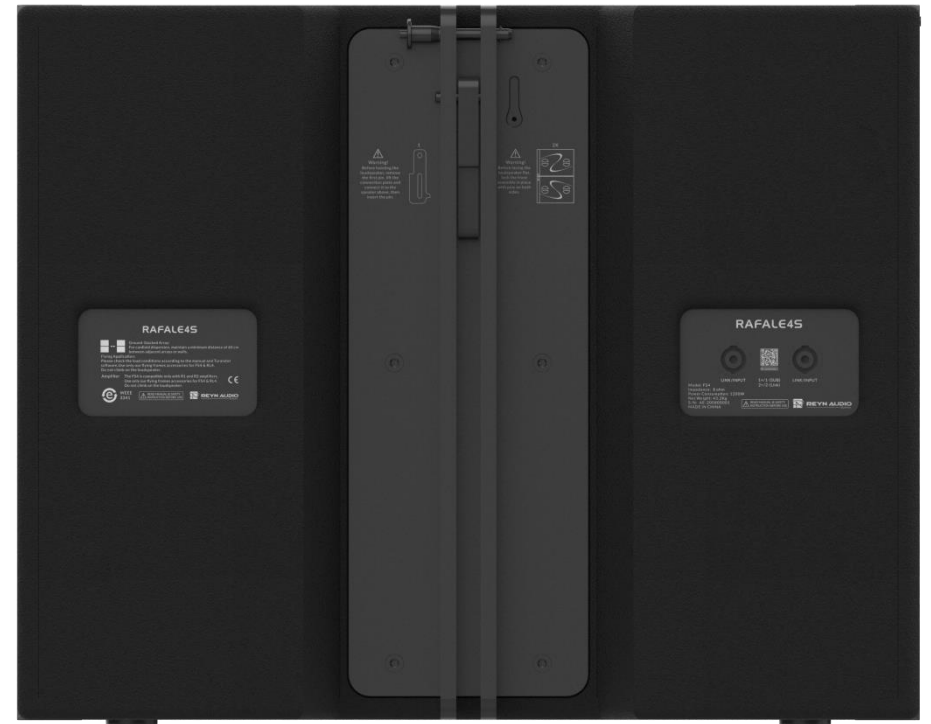
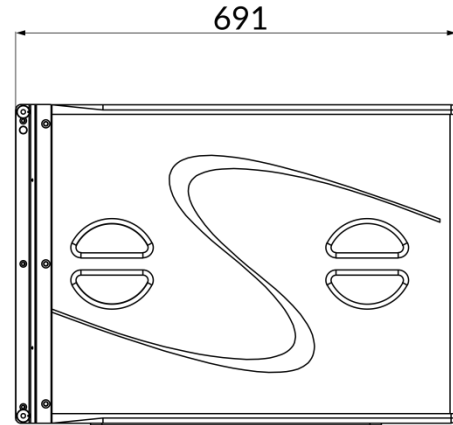
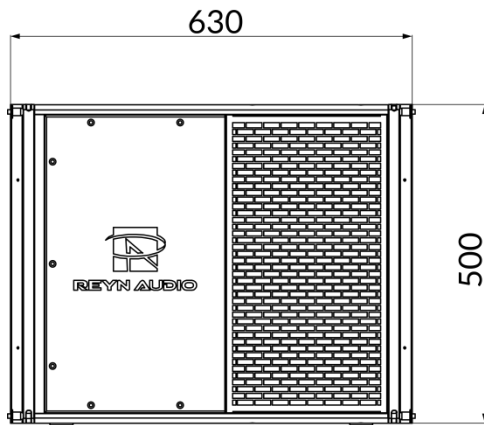
Nominal Impedance
8ohm

Transducer
1x18 " neodymium magnetic

Nominal Directivity
Standard

Adjustable Splay Angle
Square Enclosure, Fixed Angle

Dimensional Drawing (mm)



FS4 Accessories



RL4 Bumper

Product Code: 63584082

Spec: Maximum capacity: 24 pieces RL4/24 pieces FS4

Net weight: 11 kg (24.3 lbs)

TÜV SÜD Certificate No.:



FS4 Flight Case

Product Code: 3205028055

Product Code: 1 in 1 (share an aviation case for the hanger and the audio equipment.)

Net weight: 53 kg (116.8 lbs)

CANNON 218

GS218

Dual 18" Premium High-Power Subwoofers

Product Code: 12319400208139

Low Frequency Limit (-10dB) 25Hz

**Maximum Output
Sound Pressure Level (SPL)** 143dB

Transducers 2x18"

Directivity Standard or Cardioid

Net Weight 82 Kg (180.8 lbs)



System data

Low Frequency Limit (-10dB)
25Hz

**Maximum Output
Sound Pressure Level (SPL)**
143dB

Speaker data

Power
5600W

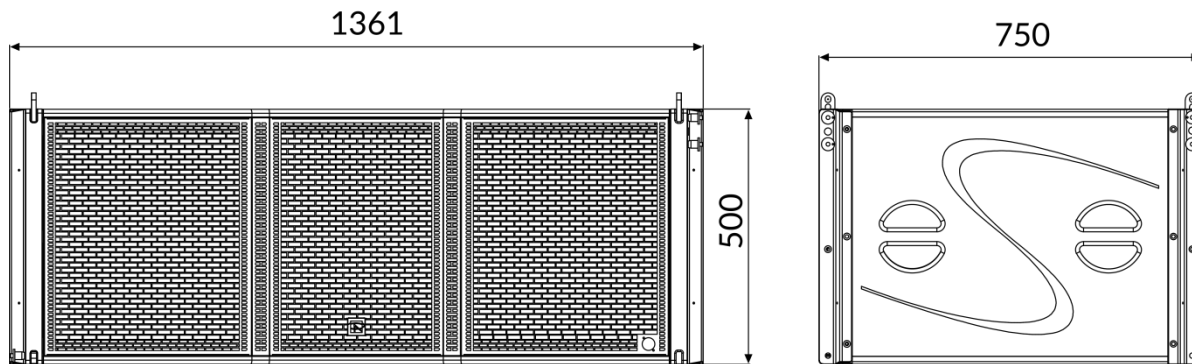
Nominal Impedance
4ohm

Transducers
2x18" neodymium

Nominal Directivity
Standard or Cardioid

Adjustable Splay Angle
0° 2°

尺寸图 (mm)



GS218 Accessories



GS218 Bumper

Product Code: 63583902

Spec: Maximum capacity: 24 pieces GS218

Net weight: 86 kg (190 lbs)

TÜV SÜD Certificate No.: 64.190.25.3241.01-00



GS218 Touring Cart

Product Code: 63583865

Spec: 2 in 1 / 3 in 1

Net weight: 36 kg (79.4 lbs)



GS218 Protective Cover

Product Code: 3202000595

Spec: 2 in 1

Net weight: 6 kg (13.2 lbs)



GS218 Protective Cover

Product Code: 3202000543

Spec: 3 in 1

Net weight: 7 kg (15.4lbs)



GS218 Bumper Flight Case

Production Code: 3205028050

Spec: 2 in 1

Net weight: 78 kg (172.0 lbs)

Reyn Audio **R** Series Digital Amplifier

Redefine the absolute standard for global professional power amplification.

Architectural Revolution: TD-class Technology Breaks the Industry Paradox between Efficiency and Sound Quality

R Series is equipped with our independently developed, fourth-generation, **TD-class amplifier output stage topology**, placing it at the pinnacle of the global professional audio field. It reconstructs the amplification logic with breakthrough technology and achieves a conversion efficiency of over 92%, far exceeding the 30% energy efficiency ceiling of traditional Class AB Amplifiers. The total harmonic distortion plus noise (THD+N) is as low as 0.00015%, **the frequency response range is 20Hz–40kHz**, and the dynamic range exceeds 120dB, realizing high-fidelity audio restoration.

Power Supply Cornerstone: Military-grade PFC System for All-round Complex Working Conditions

The entire amplifier integrates a military-grade active **PFC switching power supply module**, which uses silicon carbide (SiC) power devices and multi-layer shielding design to ensure stable power supply from the source. It supports **wide-range voltage adaptation of AC 90V - 264V, 50/60Hz**. Even in extreme environments with a grid fluctuation of $\pm 30\%$ and an instantaneous voltage surge of 1000V, the output voltage fluctuation rate is still $\leq \pm 0.1\%$, far better than the industry standard of $\pm 1\%$. The innovative independent power supply architecture with three partitions of **"signal - drive - power" is combined with a maximum of 10 groups of 3700 μ F** high-frequency low-resistance filter capacitor banks to form a power reserve pool with millisecond-level response. The instantaneous peak power can be increased to 1.8 times the rated power, and there is no clipping or distortion under large dynamic signals.

Integration Peak: Aerospace-grade Technology for Ultra-High Power Density

Relying on the aerospace-grade aluminum alloy integrated CNC machining fuselage (tensile strength $\geq 500\text{MPa}$) and military-grade HDI high-density PCB technology (line width accuracy $\pm 0.01\text{mm}$), **the R series** achieves a power density of up to **1900W per cubic decimeter** in a standard 2U rack space (dimensions: 88mm \times 482mm \times 400mm), which is more than 50% higher than the world's top similar products. A single unit can meet the main sound reinforcement needs of small and medium-sized venues.

The internal cooling system adopts the design of **"3D air duct + graphene heat-conducting sheet"**, and is equipped with an intelligent temperature-controlled variable-frequency fan (speed adjustment accuracy $\pm 10\text{rpm}$), which can dynamically adjust the cooling efficiency according to the temperature of the power module. When operating at full load, the surface temperature of the fuselage is $\leq 45^\circ\text{C}$, the temperature of pin components is $\leq 60^\circ\text{C}$, and the MTBF (mean time between failures) exceeds 100,000 hours, reaching the reliability level of industrial control equipment.

Intelligent pin: Full-link Digital Processing, Precise Control of Every Audio Segment

1. Flagship Hardware, Laying the Foundation for High

Resolution Equipped with the industry - leading latest generation **ADI SHARC® DSP chip ADSP - 21569** (dual - pin architecture, computing power up to 2000MIPS), and paired with the AKM 24bit/96KHz high - precision AD/DA converter (dynamic range of 130dB), it realizes low - latency transmission of signal processing. The signal - to - noise ratio (SNR) is as high as 133dB, completely eliminating background noise and clearly presenting even the faintest audio details.

2. Full - dimensional Regulation, Adaptable to

Complex Scenarios It supports matrix - style scheduling of **4 inputs and 4 outputs**, and 8 groups of signal path presets can be customized to meet the needs of multi - channel audio in theaters and zoned sound reinforcement in venues. The input end is equipped with a 31 - band parametric EQ ($\pm 15\text{dB}$ adjustment, Q value selectable from 0.1 - 10), a 3 - band compressor, an Auto FIR filter, and a dual - mode limiter for full - link comprehensive regulation. It features the industry - leading **3 - way priority signal hot backup** (difference detection accuracy of $\pm 0.1\text{dB}$, switching time less than 0.5ms), building a zero - interruption signal system.

3. Innovative Interaction, Simplifying the Operation Process

It is equipped with a **4.3 - inch IPS high - definition touch screen** (resolution 1024 \times 768, brightness $\geq 500\text{cd}/\text{m}^2$, viewing angle 178°). The status of output power, temperature, signal level, etc. is visualized in real - time, and the operation response time is less than 0.3s. At the same time, it provides Gigabit Ethernet (supporting the Dante protocol) and is compatible with mainstream central control systems such as Crestron and AMX. Parameter configuration, fault diagnosis, and firmware upgrade can be completed remotely without on - site operation.

Reyn Audio **R** Series Digital Amplifier

Redefine the absolute standard for global professional power amplification.

Scene dominance: From the hall to the live event, meeting the top global demands

With "ultimate performance + flexible expansion", the R series has become the standard for top - tier global scenarios. It realizes sound field phase correction through the FIR filter. In spaces over 1,000 square meters, the sound pressure level deviation in each area is $\leq 1\text{dB}$, achieving an "equal - seating" listening experience. It has anti - electromagnetic interference (EMC complies with Class A standard) and can handle extreme outdoor environments. The function of importing/exporting preset parameters enables the deployment and calibration time of a single device to be ≤ 5 minutes. It supports the cascading of up to 250 devices, which are built through Gigabit Ethernet with a device synchronization accuracy of $\leq 1\mu\text{s}$. The open API interface can be seamlessly linked with acoustic design and operation and maintenance management software to achieve full - process digital management.

Integration Peak: Aerospace-grade Technology for Ultra-high Power Density

The series has passed 12 global authoritative certifications such as **AES** (Audio Engineering Society), **IEC** (International Electrotechnical Commission), **UL** (Underwriters Laboratories), etc. It has also become the recommended equipment of **IOA** (International Organization of Audio Engineers) and **ASTA** (Audio Engineering Society of America), and its pin parameters have been included in the "Industry Standard for Professional Digital Power Amplifiers".



R1

4-channel high-performance amplifier with DSP

Product Code: 12120201169478

4 LO-Z
HI-Z
CHANNELS

pin functions TD output
PFC 95V-265V

Audio Signal input and output 4 inputs and 4 outputs

Output Power 2300W@8Ω
4400W@4Ω
5000W@2Ω

Input Signal Analog AES/EBU Dante

DSP Powerful **MCU** and **ADI** audio **DSP**
ADSP-21569

Control software  **TURANDOT**



Audio Data

Total Peak Output
20000W

Maximum Output Power
2300W@8Ω
4400W@4Ω
5000W@2Ω

Maximum Level Allowed
+22dBu

Input signal
Analogue, AES, Dante

Digital Signal Processors (DSP)

Speaker Management
REYNAUDIO brand
All speaker data settings

Control and Monitoring software
TURANDOT

Digital Signal Processors (DSPs)
ADI Audio DSP (ADSP-21569)

Sample Rate
96 kHz/24 Bit ADC/24 Bit DAC

Physical Parameters

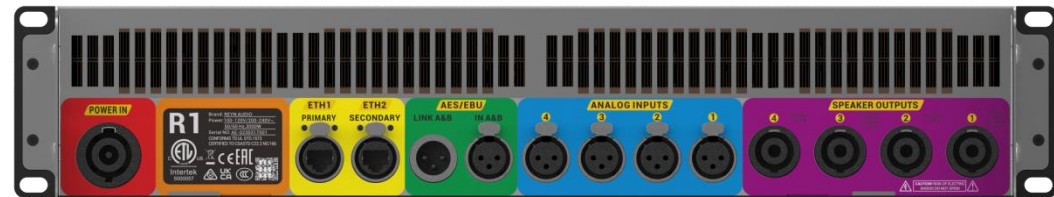
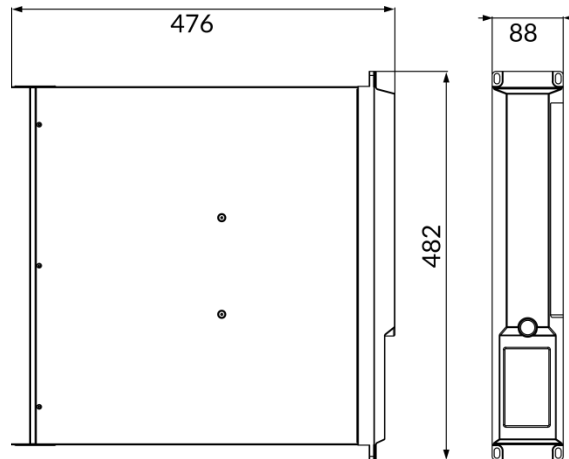
Signal Port
6 x 3-pin XLR port inputs
4 x 3-pin XLR analog inputs
1 x 3-pin XLR port analogue input
1 x 3-pin XLR port analogue output

Control port
2 x 1000M Ethernet ports
Communication control signals
Dante signals

Front Display Board
4.3-inch color LCD touch screen
Clear display of system status,
Plus independent encoder control

Net Weight
19 Kg (41.9 lbs)

Dimensional Drawing (mm)



R2

4-channel high-performance amplifier with DSP

Product Code: 12119901169479

4 LO-Z
HI-Z
CHANNELS

pin functions TD output
PFC 95V-265V

Audio Signal input and output 4 inputs and 4 outputs

Output Power 1300W@8Ω
2100W@4Ω
2500W@2Ω

Input Signal Analog AES/EBU Dante

DSP Powerful **MCU** and **ADI** audio **DSP**
ADSP-21569

Control software  **TURANDOT**



Audio data

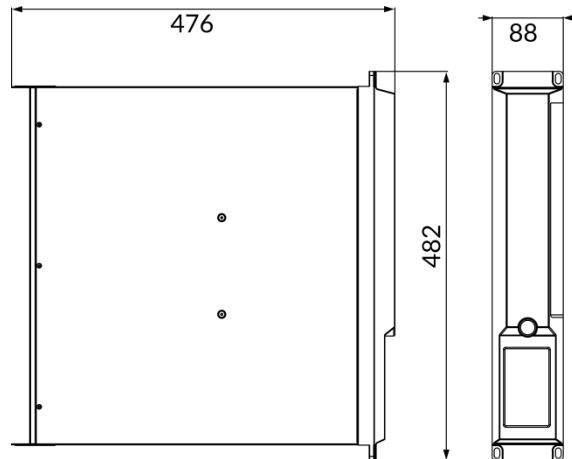
Total Peak Output
10000W

Maximum Output Power
1300W@8Ω
2100W@4Ω
2500W@2Ω

Maximum Level Allowed
+22dBu

Input Signal
Analogue, AES, Dante

Dimensional Drawing (mm)



Digital Signal Processors (DSPs)

Speaker Management
REYNAUDIO brand
All speaker data settings

Control And Monitoring Software
TURANDOT

Digital Signal Processors (DSPs)
ADI Audio DSP (ADSP-21569)

Sample Rate
96 kHz/24 Bit ADC/24 Bit DAC

Physical Parameters

Signal Port
6 x 3-pin XLR port inputs
4 x 3-pin XLR analog inputs
1 x 3-pin XLR port analogue input
1 x 3-pin XLR port analogue output

Control Port
2 x 1000M Ethernet ports
Communication control signals
Dante signals

Front Display Board
4.3-inch color LCD touch screen
Clear display of system status,
Plus independent encoder control

Net Weight
18 Kg (39.7 lbs)



RA1

Amplifier Cabinets

Product Code: 12121100209984 RA1 (24 Pin)

Audio Signal input Analog, AES/EBU, Dante

Audio Signal output 2 x 24-pin sockets, 2 x 8-pin sockets

Power Input 5-pin 32A waterproof male connector

Amplifier models can be included R1&R2

The maximum number of amplifiers that can be included 6 units amplifier, 2 units S1, 2 units SW8, 1 unit A1



Function Overview

The RA1 is a professional touring rack system providing up to 24 channels of amplification within a 17U shock-mount frame, integrating six R1 or R2 power amplifiers, two SW8 network switches, one A1 power distribution unit with two 24-pin and four 8-pin speaker multi-pin outputs, and two S1 signal distribution units to offer a reliable, plug-and-play solution with seamless Dante® network audio redundancy; its high-density channel capacity enables exceptionally fast system deployment across the entire REYN AUDIO loudspeaker range, while its robust internal shock-mount suspension ensures stability during transit and its universal power connectors allow for worldwide operation, facilitating seamless cross-rental between REYN AUDIO partners.

Physical Parameters

Materials

Polyethylene, cold-rolled steel external structure,
Full birch AB fine-grained polymer doors

Analog input/Connection

8 x Neutrik® XLR3 female (IN) /
4 x Neutrik® XLR3 male (LINK)

AES/EBU input

6 x Neutrik® XLR3 female (IN) /
6 x Neutrik® XLR3 male (LINK)

ETH (Dante)

4 x ruggedized and lockable RJ45 connectors
(2 x Primary, 2 x Secondary), CAT5e standard

AC input

32 A - IEC 60309 (3P+N+GND)
Integrated 1.5 m cable with waterproof male plug

AUX AC output

Single-phase universal socket with
spring-loaded flip cover

AC output of R1 and R2 power amplifiers

6 x power cables, equipped with 32 A
Neutrik powerCON® connectors
(AMP 1&4 L1, AMP 2&5 L2, AMP 3&6 L3)

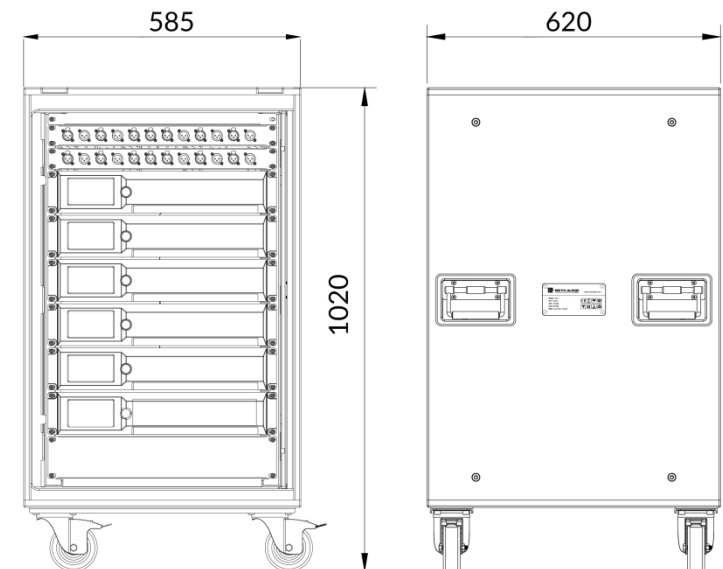
Protection

10 A Type C circuit breaker (AUX L3)

Net Weight

229 kg (504.8 lbs)

Dimensional Drawing (mm)



RA2

Amplifier Cabinets

Product Code: 12120900200002 RA2 (24 Pin)

Audio Signal input Analog, AES/EBU, Dante

Audio Signal output 2 x 24-pin sockets, 2 x 8-pin sockets
2 x 4-pin NL4 sockets

Power Input 5-pin 32A waterproof male connector
5-pin 32A waterproof female connector

Amplifier models can be included R1&R2

The maximum number of amplifiers that can be included 3 units amplifier
1 unit S1, 2 units SW8, 1 unit A2



Function Overview

RA2 is a kind of touring cabinet system that provides amplification for up to 12 channels within an 11U frame. It includes three R1 or R2 power amplifiers, two SW8 network distributors, one A2 power supply, two 24 - pin distribution cables, and one S1 signal distributor, offering a plug - and - play, reliable solution that allows seamless network audio redundancy for Dante. The multi - channel capacity of RA2 enables it to set up a system very effectively and at high speed, and it can be used with all REYNAUDIO speakers. The rugged RA2 has a shock - absorbing frame to protect the equipment during transportation. With a power connector suitable for any voltage standard, RA2 can be used globally to facilitate cross - rental among REYN AUDIO rental companies.

Physical Parameters

Materials

Polyethylene, cold-rolled steel external structure, Full birch AB fine-grained polymer doors

Analog input/Connection

4 female Neutrik® XLR3 (IN) / 2 male Neutrik® XLR3 (IN)

AES/EBU input

3 female Neutrik® XLR3 (IN) / 2 male Neutrik® XLR3 (LINK)

ETH (Dante)

2 ruggedized and lockable RJ45 sockets for primary and backup respectively, CAT5e standard

AC input

32 A - IEC 60309 (3P+N+GND) With a 1.5-meter waterproof male plug

AC output Main output

32 A - IEC 60309 (3P+N+GND) Waterproof female socket AUX Output: Single-phase universal flip-top power socket

AC output of R1 and R2 power amplifiers 6

3 x power cables, equipped with 32 A Neutrik powerCON® connectors (AMP 1&L1, AMP 2&L2, AMP 3&L3)

Protection

10 A Type C circuit breaker (AUX L3)

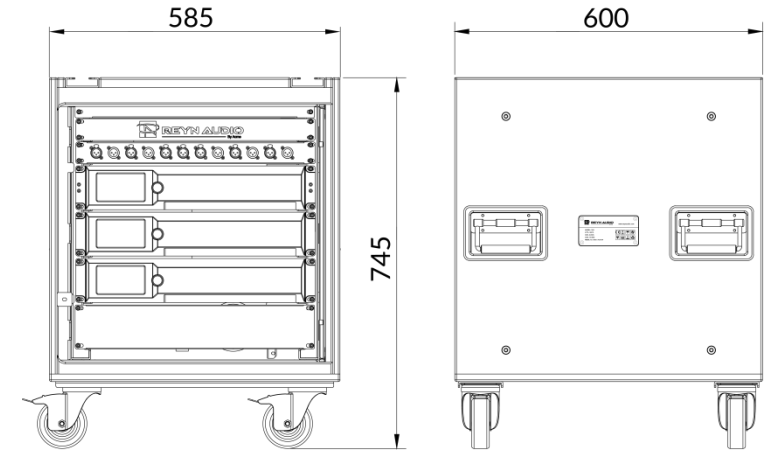
Hanger

It can be used with the RA2 hanger

Net Weight

160 kg (352.7 lbs)

Dimensional Drawing (mm)



Accessory

RA2 Bumper

Product Code: 63583969

Spec: Maximum capacity 1 pieces RA2

Net weight: 18.5 kg (40.8 lbs)

TÜV SÜD Certificate No.:

64.190.25.3242.01-00



RA 3

Network Cabinet

Product Code: 12122300200001

Power Input and Output 8-pin international socket, 16A plug 2.5 square millimeters, 2-meter cable, 4000W

Drawer 3U Drawer * 2 (Convenient for storing short network cables)

Switcher 2 units SW10 (Maximum expansion to 4 units)



Function Overview

RA3 is a kind of touring cabinet system that provides up to 4 independent switches in an 11U frame, with each switch having 8 electrical ports and 2 optical ports. At the same time, it can support expansion to 4 independent switches. Two 3U drawers are used to place short - distance connection network cables. It is a reliable solution that allows seamless network audio redundancy for Dante. The network switch cabinet of RA3, when used in conjunction with RA1 and RA2, is used to facilitate the planning of large - scale systems and the logical and hierarchical management of large - scale network systems. The sturdy and durable RA3 has a shock - absorbing frame to protect the equipment's stability during transportation. With a power connector suitable for any voltage standard, RA3 can be used globally to promote cross - rental among REYN AUDIO rental companies.

Physical Parameters

Materials

Polyethylene, cold-rolled steel external structure, full birch AB fine grain Plastic door

ETH (Dante)

2 independent switches, each with 8 reinforced and lockable RJ45 sockets (CAT5e standard electrical ports), and 2 Neutrik waterproof and reinforced multimode dual-pin LC optical ports

AC input

16A - IEC 60309 (1P+N+GND) with a 1.5-meter cable Chinese standard 16A plug

AC output

10A - IEC 60309 (1P+N+GND) sockets, 8 positions

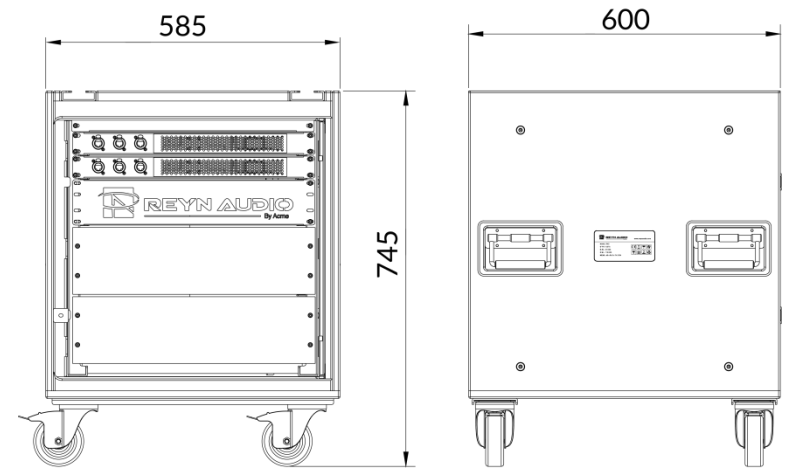
AC output of SW10

2 power cords with cloverleaf plugs

Net Weight

115 kg (253.5 lbs)

Dimensional Drawing (mm)



SW8

Network Audio Distributor

Product Code: 12120000209648

Power Input and Output 100-240VAC, 50/60Hz

Maximum allowed range 85-264VAC

Power consumption Static power $\leq 7.0W$
Full load power $\leq 12.0W$

Working temperature $-40^{\circ}C \sim 70^{\circ}C$



Function Overview

The SW8 is a network audio distributor designed specifically for the RA1 and RA2 touring cabinet systems, serving as the core of the system's audio data transmission. It provides eight robust Neutrik EtherCON™ network interfaces, suitable for harsh field environments. With a high switching capacity of 336Gbps, it supports Dante QoS priority settings, IGMP settings, and link aggregation, ensuring reliable, low-latency, and non-blocking transmission of multi-channel audio streams. Its wide power input range and wide operating temperature range allow it to stably adapt to various installation and mobile application scenarios worldwide.

Connector

Network Connectivity

8 x Neutrik EtherCON™ connectors

Mains Connection

IEC 6020 C14 inlet, fused, with integrated power switch.

Switch Spec

Switch Capacity

336Gbps

Forwarding Rate

96Mpps

User Configuration

Control and Management Software

REYN AUDIO & H3C

Switch Configuration Management Tool (Network Port)

IGMP Setting

IGMP Version Settings, Time Settings, Query Settings

QOS Setting

Dante Priority

Link Aggregation Settings

Any two link aggregations

Basic Account Settings

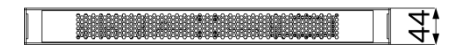
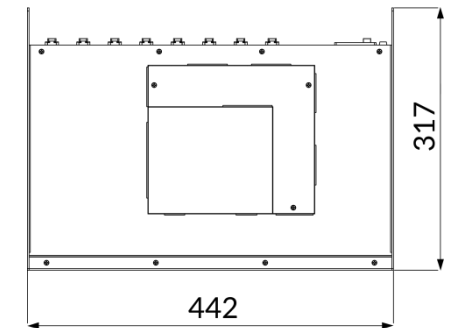
Query Function, Password Settings, IP Settings

Physical Parameters

Net Weight

2.7kg (6.0 lbs)

Dimensional Drawing (mm)



SW10

Network Audio Distributor

Product Code : 12120100208816

Power Input and Output 100-240VAC, 50/60Hz

Maximum allowed range 85-264VAC

Power consumption Static power $\leq 7.0W$
Full load power $\leq 12.0W$

Working temperature $-40^{\circ}C \sim 70^{\circ}C$



Function Overview

The SW10 is a high-performance network switch designed specifically for the RA3 touring cabinet system. In addition to providing eight rugged Neutrik EtherCON™ network interfaces, it adds two Neutrik ruggedized multimode LC fiber interfaces. It boasts a 336Gbps switching capacity and fully supports professional audio network optimization functions such as Dante QoS priority settings, IGMP settings, and link aggregation. The addition of fiber interfaces significantly expands the system's connectivity, enabling the RA3 cabinet to seamlessly connect to backbone networks in long-distance or complex environments via stable, interference-resistant fiber links, making it a core network node suitable for large-scale fixed installation projects.

Connector

Network Connectivity

8 Neutrik EtherCON™ ports
(1 front panel, 7 rear panel)
2 Neutrik waterproof and ruggedized multimode dual-core LC optical ports

Mains Connection

IEC 60320 C14 inlet, fused, with integrated power switch.

Switch Spec

Switch Capacity

336Gbps

Forwarding Rate

96Mpps

User Configuration

Control and Management Software

REYN AUDIO & H3C
Switch Configuration Management Tool
(Network Port)

IGMP Setting

IGMP Version Settings, Time Settings,
Query Settings

QOS Setting

Dante Priority

Link Aggregation Settings

Any two link aggregations

Basic Account Settings

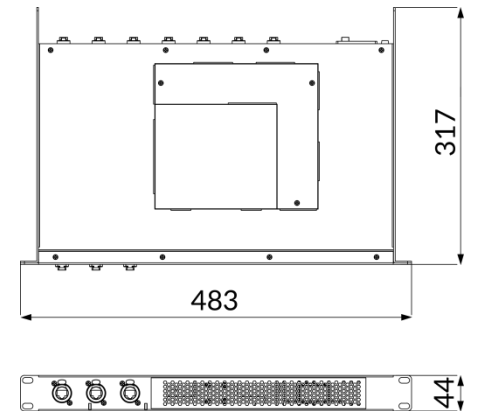
Query Function, Password Settings,
IP Settings

Physical Parameters

Net Weight

2.8kg (6.2 lbs)

Dimensional Drawing (mm)



S1

Signal Distributor

Product Code: 12121200209619 (Short Line)

12121200209620 (Long Line)



Function Overview

The S1 is a professional audio signal input and distribution panel for the RA1 and RA2 touring cabinet systems. It centrally provides 4 analog and 3 AES/EBU digital audio input interfaces, each equipped with a parallel link output for convenient lossless signal distribution and device cascading. It features a front and rear dual-panel design: the front panel connects to external audio source devices, while the rear panel comes pre-installed with multiple XLR connectors for internal cabinet cabling. This design greatly simplifies cable management during system integration, standardizes and streamlines signal input, and provides a highly reliable and easily maintained signal input hub for the entire audio system.

Front Panel

Analog inputs/links

4 x Neutrik® XLR3 female (IN)/
2 x Neutrik® XLR3 male (LINK)

AES/EBU input/links

3 x Neutrik® XLR3 female (IN)/
3 x Neutrik® XLR3 male (LINK)



Back Panel

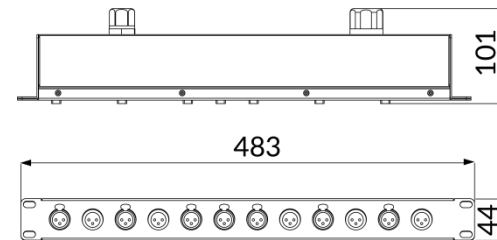
Analog input/links

12 Neutrik® XLR3 connectors,
3 LINK connectors per channel

AES/EBU input/links

3 Neutrik® female XLR3 (input) /
3 Neutrik® male XLR3 (parallel)

Dimensional Drawing (mm)



A1

Power and signal distribution center

Product Code: 12121400209584



Function Overview

A1 serves as the central power distribution and signal management hub of the RA1 touring rack system, engineered to efficiently distribute a single three-phase AC mains input across six high-current powerCON® interfaces to ensure stable and secure high-power operation. Featuring integrated standardized audio connectivity, the A1 allows for pre-configured multi-channel signal routing between amplifiers and processors to significantly streamline internal rack cabling, while its protected auxiliary AC output provides dedicated power for critical devices such as network switches, delivering a highly reliable and unified solution for integrated power and signal management.

Power

Power supply (EU)

3/N/PE 380 - 415V /
220 - 240V ~ 50Hz 32A per phase male connector

AUX output (EU)

220Vac/110VAc 50 Hz/60 Hz Max: 4 A

Protection

10 A Type C circuit breaker (AUX L3)

R1、 R2 amplifier power outputs

6 x mains cables with 32 A Neutrik powerCON® connectors.
(AMP 1&4 L1, AMP 2&5 L2, AMP 3&6 L3)

SW8 power outputs

2 x IEC 60320-1 C13 female connectors (AUX L3)
120 - 240V ~20 - 60Hz 4A 960W



Audio Output Configuration

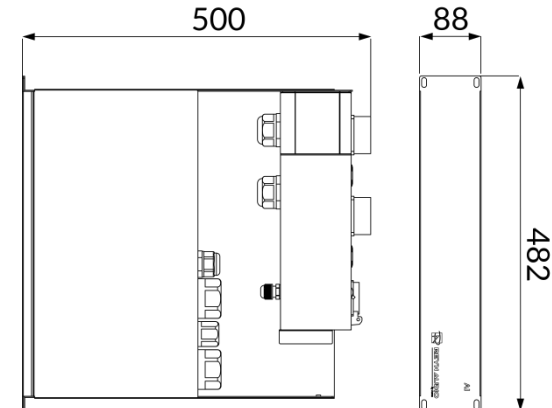
Loudspeaker outputs

2 x 24-pin multipin connectors
(24-pin: AMP1, AMP2, AMP3;
24-pin: AMP4, AMP5, AMP6)
4 x NL8 connectors
(8-pin: AMP1, AMP2;
8-pin: AMP4; AMP5)

Amplifier connection

12 x NL4 pigtails for amplifier channel connection

Dimensional Drawing (mm)



A2

Power and signal distribution center

Product Code: 12121300209609



Function Overview

A2 is a compact mains and signal distribution unit specifically engineered for the RA2 touring rack. It provides high-efficiency distribution of a single 3-phase mains supply via three 32 A powerCON® outputs. Additionally, an integrated IEC link output is provided to support daisy-chaining power to an adjacent rack. The unit features standardized multipin connectors and input jumpers, enabling pre-configured patching between amplified controllers and processors, which significantly streamlines internal rack cabling. Furthermore, a protected auxiliary AC output is available to power peripherals such as network switches. The A2 ensures integrated and highly reliable centralized management of both power and signals, making it the ideal core for small-to-medium scale systems.

Power

Power supply (EU)

3/N/PE 380 - 415V /

220 - 240V ~ 50Hz 32A per phase male connector

AUX output (EU)

220Vac/110VAc 50Hz/60Hz Max: 4A

Protection

10 A Type C circuit breaker (AUX L3)

R1、 R2 amplifier power outputs

6 x mains cables with 32 A Neutrik powerCON® connectors.

(AMP 1&4 L1, AMP 2&5 L2, AMP 3&6 L3)

SW8 power outputs

2 x IEC 60320-1 C13 female connectors (AUX L3)

120 - 240V ~20 - 60Hz 4A 960W



Audio Output Configuration

Loudspeaker outputs

2 x 24-pin multipin connectors

(24-pin: AMP1, AMP2, AMP3;

24-pin: AMP4, AMP5, AMP6)

4 x NL8 connectors

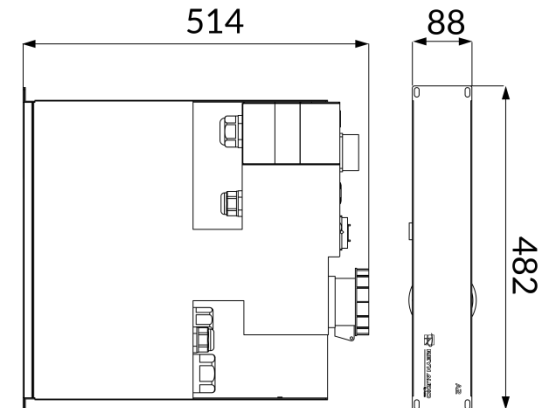
(8-pin: AMP1, AMP2;

8-pin: AMP4; AMP5)

Amplifier connection

12 x NL4 pigtails for amplifier channel connection

Dimensional Drawing (mm)





AL Control Unit

Comply with AL1 remote unit,

Dedicated Data Acquisition & Monitoring Terminal

Product Code: 10635904160001



Control

4 Touch Keys
OLED Display Menu

Electrical

Rated Voltage: 12V-20V
Power: 1.5W
Power supply: Type-C

Battery Spec

Battery type: Rechargeable
Max. Charge Current: 0.8A
Protocal: USB PD3.0
Charging Voltage: 12V-20V
Min. Charging Power: 20W
Capacity: 2200 mAh
Charge Time: 4-5 Hrs

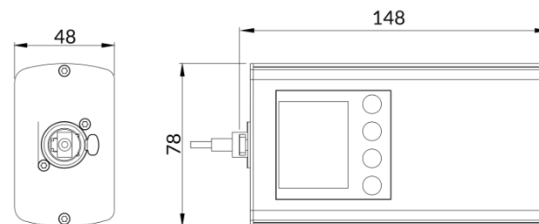
Environment

Working Temperature: -10-45° C
Storage Temperature: -20-60° C
IP Rating: IP20

Specification

Weight: 0.42 kg (0.9 lbs)

Dimensions (mm)



AL1 Remote Unit

Precision Acoustic Distance & Temp. Sensor

Seamless Data Exchange and Control

Integration with TURANDOT through SW8/10

Product Code: 10635904160002



Optical Specification

Laser Type: Class3B Green Visible Laser
Wavelength: 513-525nm Green Ray
Projection Distance: 250m

Electrical

Rated Voltage: 48V (PoE)
Power: 2.7W
Power supply: PoE

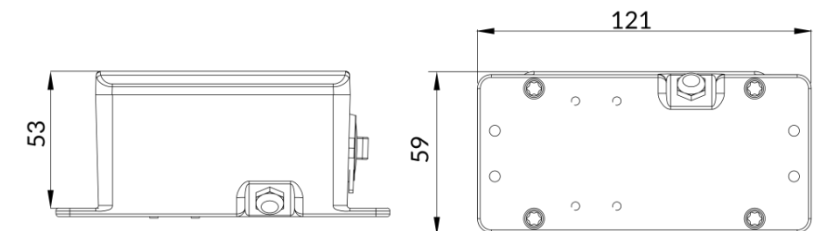
Environment

Temperature Awareness:
Built-in Temp. and Humidity Sensor
Working Temperature : -20-45° C
Storage Temperature : -20-60° C
IP Rating: IP66

Specification

Weight: 0.44 kg (1 lbs)

Dimensions (mm)





DECO (Design and Control)

Turandot Reyn Audio' s all in one software management platform that integrates simulation and control.

Turandot is the industry-leading system for spatial modeling, acoustic optimization, parameter prefabrication, and audio control for professional applications such as concert tours, indoor and outdoor stadium events, commercial performances, theaters, and more.

Supported Operating Systems:



Windows 10 or later

macOS



Core Advantages of TURANDOT

Sound Field Simulation

The system supports sound field simulation optimization that integrates functions such as space, sound source, and microphone placement design. It quickly generates optimization schemes, and synchronous outputs reports.

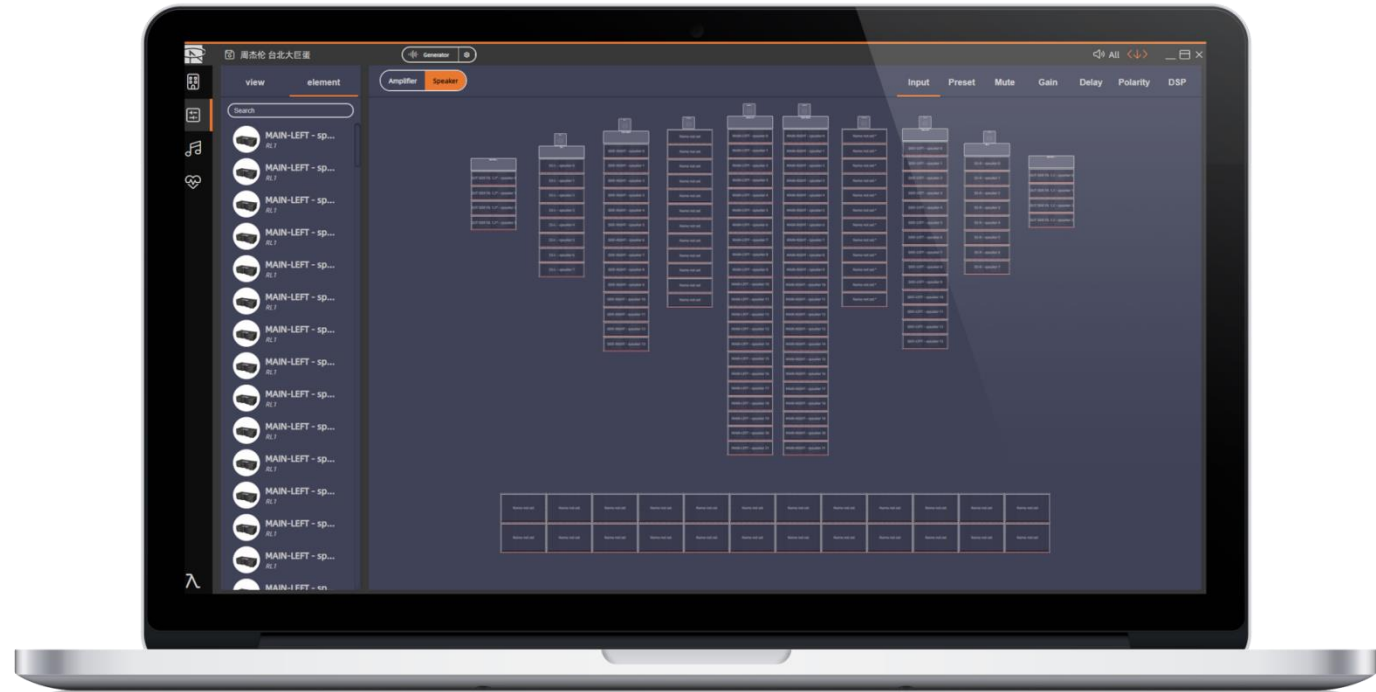
Flexible Control: Intuitive, Fast and Prefabricated

Free parameter control, flexible configuration of multi-scene sound effects; Real-time link between the device status and interface, intuitive interaction and instant response; The sound field environment is simulated, and the tuning scheme is directly connected to the site with efficient deployment with seamless implementation.

Globally unique innovations operate within the same framework

Integration of simulation and control

Support one-click import of modeling and optimized sound field data to DSP power amplifier;
Real-time monitoring of device health status (synchronous system monitoring function).



Industry-leading, independently developed AUTO FIR exclusive acoustic optimization

AUTO FIR (Adaptive Line Array Acoustic Field Optimization Technology) is the software's unique precision filtering algorithm.

In the online array system, there are significant differences in hearing perception at different positions. AUTO FIR independently calculates the FIR filters of each speaker to balance the hearing in the front and rear areas, balance the frequency response and control the sound pressure attenuation.

Professional Touring System Solutions

REYN AUDIO is a professional audio brand integrating R&D and manufacturing, with industry-leading technology, rich development experience and advanced production systems.

Audio technology is at the heart of everything REYN AUDIO does.

We have always used the best development methods and production tools, we develop everything from the ground up. Our engineering team has decades of experience in touring /stage performance with industry-leading technology. Combined with a wealth of development experience, we have ensured our success in the market and guaranteed that our efforts exceed the needs and expectations of audio professionals. Our journey has resulted in a wealth of audio achievements, breakthroughs in high-performance technology, and generative fusion advancements in the art and science of professional audio, all in line with our passion and commitment to sound creation.

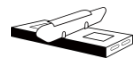
THIS WILL BE A NEW GLOBAL SAGA AND MAKE REYN AUDIO ONE OF THE GLOBAL LEADERS IN PROFESSIONAL AUDIO.

Professional Touring System Touring System



Speakers

Reyn Audio Line Array, Subwoofer, Full Range Cabinet, Stage Monitors and more provide consistent, high-performance solutions for applications of any size, from the smallest theater and concert venues to the largest sports arenas and outdoor festivals and concerts. The most advanced international imported speaker unit is widely used in all products, Austrian woodworking equipment processing audio shell, improve the sound effect of the product.



Accessories

Reyn Audio accessories include four main groups, mounting/hanging, networking, transportation and wiring; A wide range of solutions are available for the specific tasks of building loudspeaker systems, from transport to arrangement and connection. The mounting/rigging mechanical fittings are designed for system construction.



Digital amplifiers

Reyn Audio amplifiers are designed specifically to drive Reyn Audio loudspeakers, and the latest R-Series is a stand-alone innovation that uses a Class TD amplifier output stage bracket structure that is close to Class D efficiency while retaining the pure sound of AB. The whole machine is equipped with a high-efficiency PFC switching power supply, which can provide a stable output voltage to the power amplifier even when the power supply voltage fluctuates greatly. The R-Series integrated system is suitable for use in various event centres, stadiums, theatres, clan halls and touring mobile performances.



Service & Support

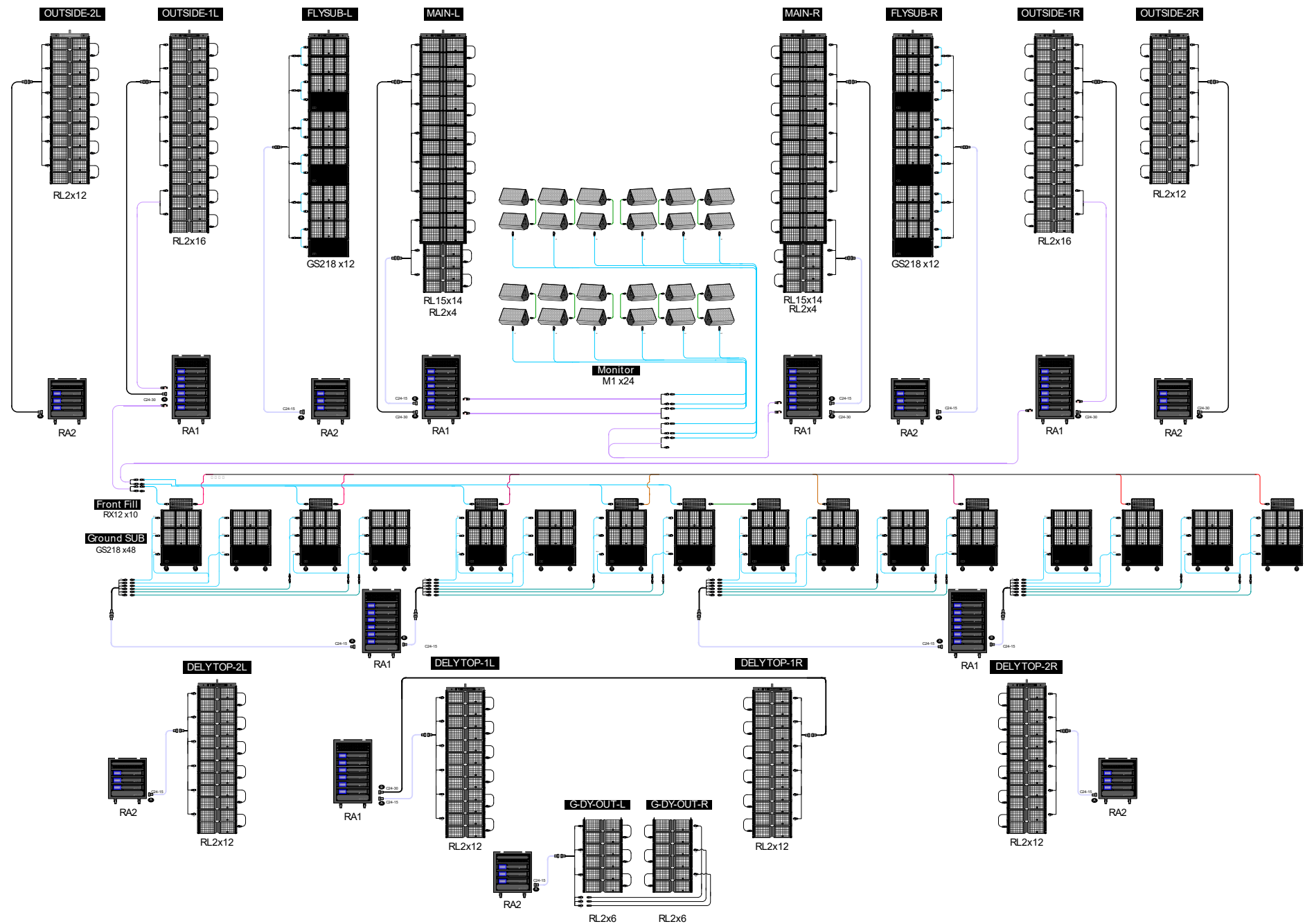
Reyn Audio places particular emphasis on improving system integration training, technical consulting, professional service and support. Backed up by our a deep and experienced distribution network so that every system can perfectly demonstrate the same excellent quality whenever and wherever it is.



Software

The Reyn Audio software suite provides accurate predictive capabilities as well as advanced remote control and monitoring solutions. Together, the suite of tools provides a visual simulation of performance predictions prior to actual system installation, and then seamlessly provides a centralized remote control solution for full management of the system in any area of the site.

I. Stadium Show System Solution



Stadium product configuration list

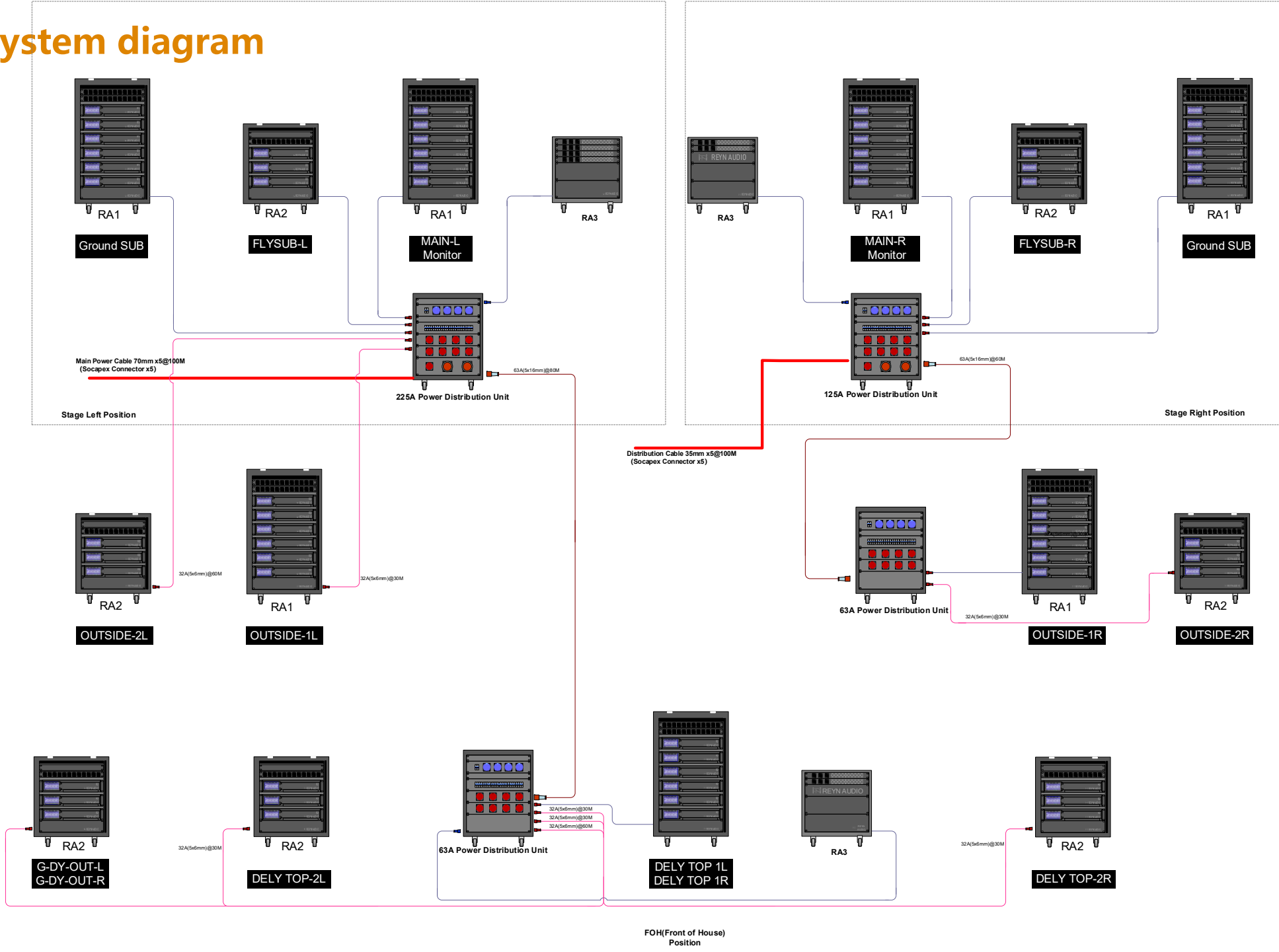
Speaker and amplifier equipment

Product Code	Model	PCS
12316000209624	RL15	28
12316000209411	RL2	124
12316900205068	RX12	10
12319400208139	GS218	72
12318100206043	M1	24
12121100209983 RA1 *1PCS 12121200209619 S1 *1PCS (short) 12121200209620 S1 *1PCS (long) 12120000209648 SW8 *2PCS 12121400209584 A1 *1PCS	RA1 Amplifier Cabinet (6xR1)	2
	RA1 Amplifier Cabinet (6xR2)	3
	RA1 Amplifier Cabinet (4xR1, 2xR2)	2
12120900200001 RA2 *1PCS 12121200209619 S1 *1PCS 12120000209648 SW8 *2PCS 12121300209609 A2 *1PCS	RA2 Amplifier Cabinet (3xR1)	2
	RA2 Amplifier Cabinet (3xR2)	5
12120201169478	R1 Amplifier x26	—
12119901169479	R2 Amplifier x37	—

Audio accessories

Product Code	Model	PCS	Product Code	Model	PCS
63583483	RL15 Hanger	2	3205028027	M1 Flight Case	12
	RL15 Hanger Flight Case	1	63583969	RA2 Hanger (Optional)	7
63583484	RL15 Touring Cart	7	3017005819	C24-30	7
3202000526	RL15 Protective Cover	7	3017005828	C24-15	12
63583600	RL15 to RL2 Hanger	2	3017005827	C24-6x4M	19
3205028043	RL15 to RL2 Hanger Flight Case	1	3017005820	N4F-2x4M	45
63583494	RL2 Hanger	8	3017005822	N4-3	13
3205028046	RL2 Hanger Flight Case	4	3017005823	N4-7	1
63583864	RL2 Touring Cart	31	3017005824	N4-15	1
3202000409	RL2 Protective Cover	31	3017005825	N4-30	2
63583902	GS218 Hanger	2	3017005829	N4F-2M	12
3205028050	GS218 Hanger Flight Case	1	3017005830	N4F-10M	3
63583865	GS218 Touring Cart	24	3017005817	N8-2x4M 15	8
3202000543	GS218 Protective Cover	24	3205028037	Cables Flight Case	8
3205028033	RX12 Flight Case	5	—	—	—

Stadium power system diagram



Stadium network system diagram

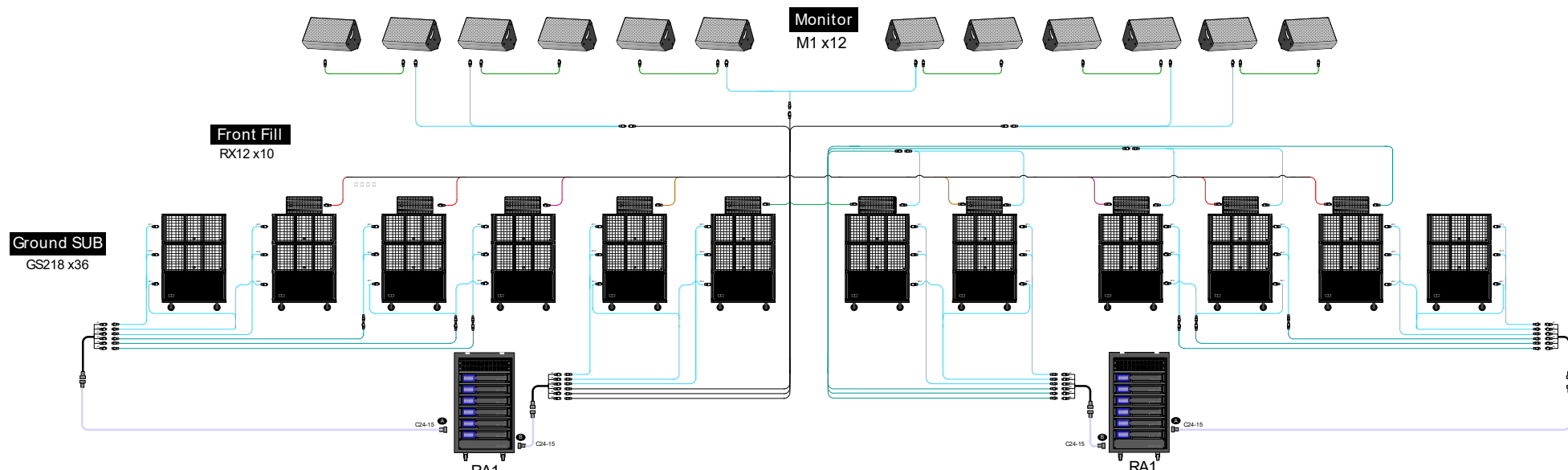
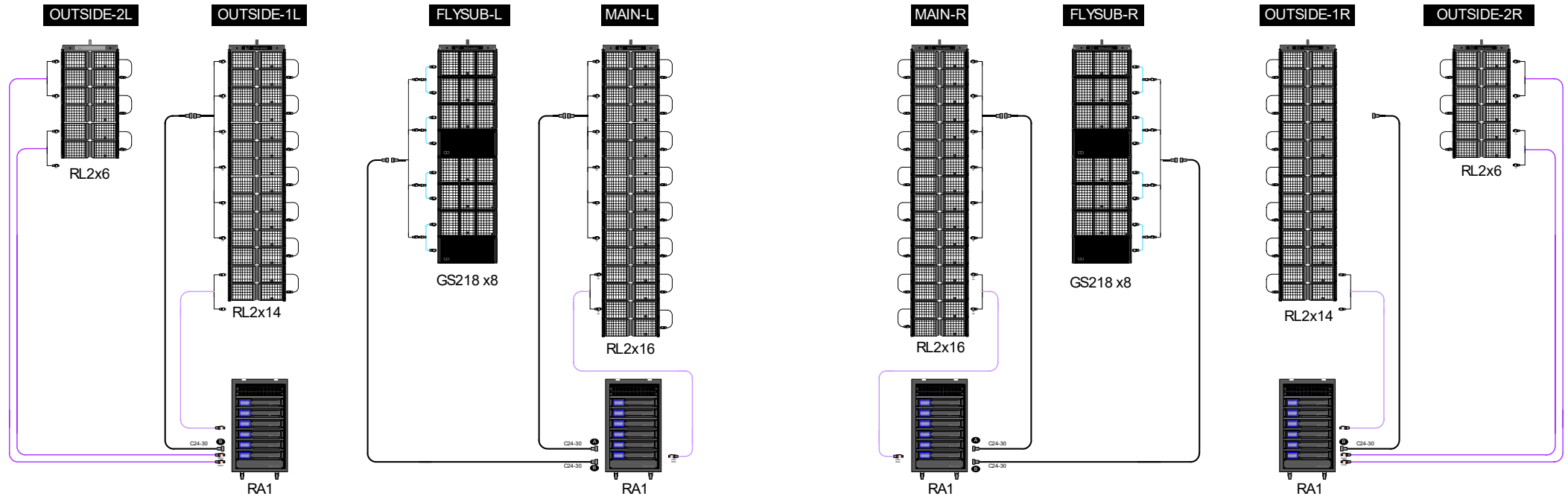


Stadium network and power configuration list

Power system		
Product Code	Model	PCS
—	225A Power Distribution Unit	1
—	125A Power Distribution Unit	1
—	63A Power Distribution Unit	2
—	Main Power Cable 70mm x5@100M (Socapex Connector x5)	1
—	Distribution Cable 35mm x5@100M (Socapex Connector x5)	1
—	Power Cable 63A(5x16mm)@80M	1
—	Power Cable 63A(5x16mm)@60M	1
—	Power Cable 32A(5x6mm)@60M	2
—	Power Cable 32A(5x6mm)@30M	4
3205028037	Cables Flight Case	10

Network system		
Product Code	Model	PCS
12122300200001 RA3 *1PCS 12120100208817 SW10 *4PCS	RA3 Network cabinet	1
12122300200001 RA3 *1PCS 12120100208817 SW10 *2PCS		2
3017039111	R-80	2
3017039112	R-60	6
3017039109	R-30	8
3017039108	R-10	2
3017039107	R-5	16
3017013510	S-1F-2×0.6M	4
3017039106	S-30	11
3017039105	S-10	3
3017039104	S-5	4
3205028037	Cables Flight Case	4

II. Arena System Solution

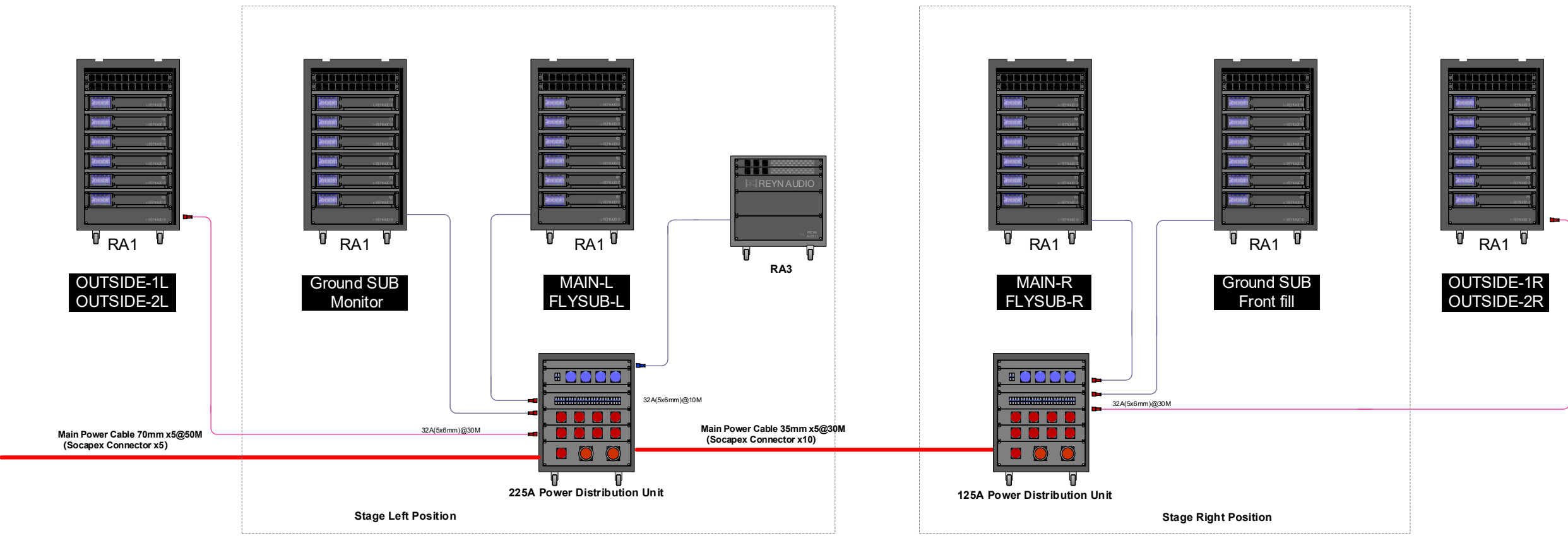


Arena product configuration list

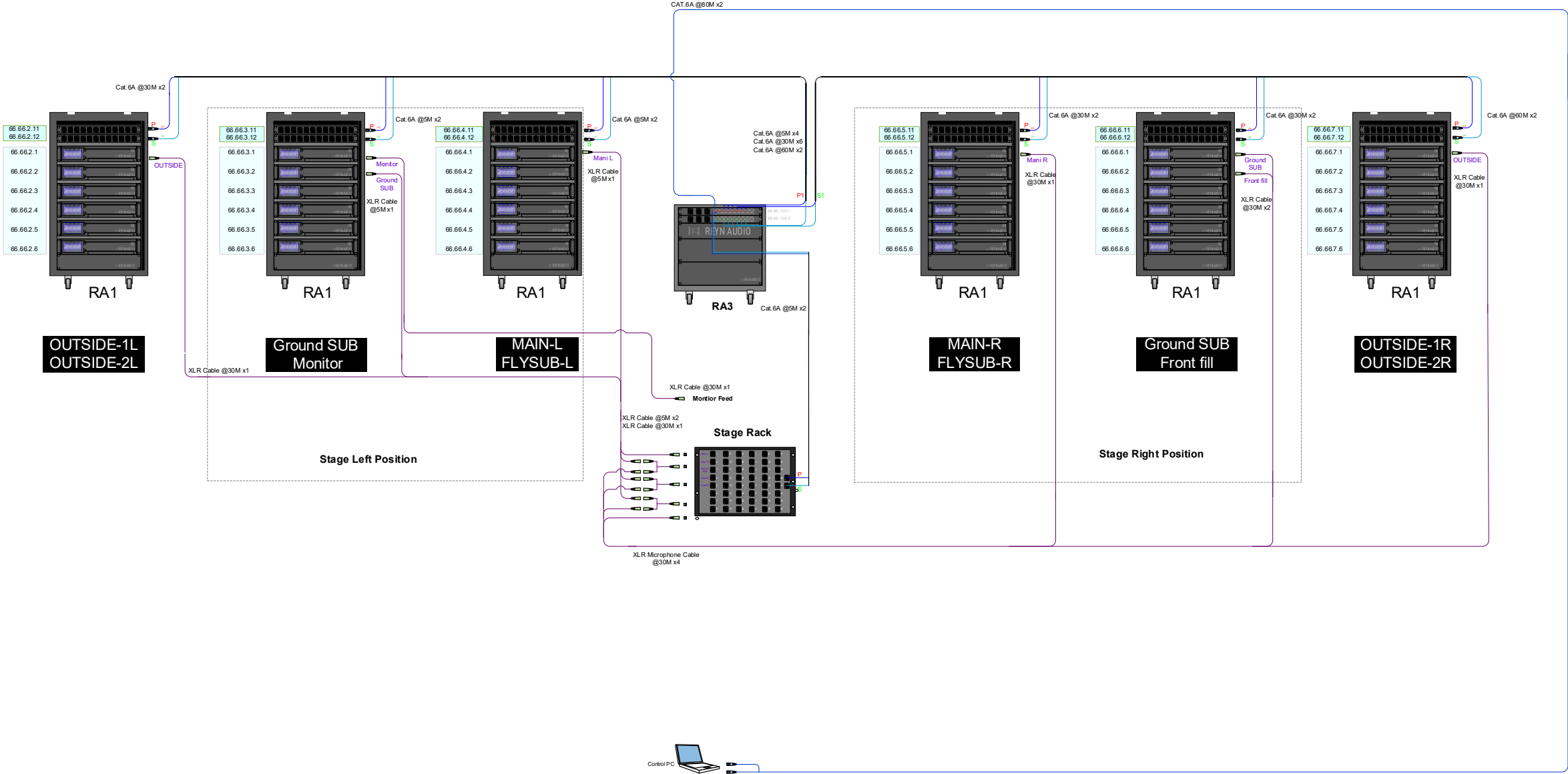
Speakers and amplifier equipment		
Product Code	Model	PCS
12316000209411	RL2	72
12319400208139	GS218	52
12316900205068	RX12	10
12318100206043	M1	12
12121100209983 RA1 *1PCS 12121200209619 S1 *1PCS (short) 12121200209620 S1 *1PCS (long) 12120000209648 SW8 *2PCS 12121400209584 A1 *1PCS	RA1 Amplifier Cabinet (2xR1, 4xR2)	2
	RA1 Amplifier Cabinet (6xR2)	2
	RA1 Amplifier Cabinet (5xR1,1xR2)	2
12120201169478	R1 Amplifier x14	—
12119901169479	R2 Amplifier x22	—

Audio accessories					
Product Code	Model	PCS	Product Code	Model	PCS
63583494	RL2 Hanger	6	3017005827	C24-6x4M	10
3205028046	RL2 Hanger Flight Case	3	3017005820	N4F-2x4M	31
63583864	RL2 Touring Card	18	3017005829	N4F-2M	9
3202000409	RL2 Protective Cover	18	3017005830	N4F-10M	3
63583902	GS218 Hanger	2	3017005822	N4-3	7
3205028050	GS218 Hanger Flight Case	1	3017005823	N4-7	1
63583865	GS218 Touring Card	18	3017005824	N4-15	1
3202000543	GS218 Protective Cover	18	3017005825	N4-30	2
3205028033	RX12 Flight Case	5	3017005817	N8-2x4M 15	4
3205028027	M1 Flight Case	6	3017005831	N8-2x4M 30	4
3017005819	C24-30	6	3205028037	Cables Flight Case	5
3017005828	C24-15	4	—	—	—

Arena power system diagram



Arena network system diagram

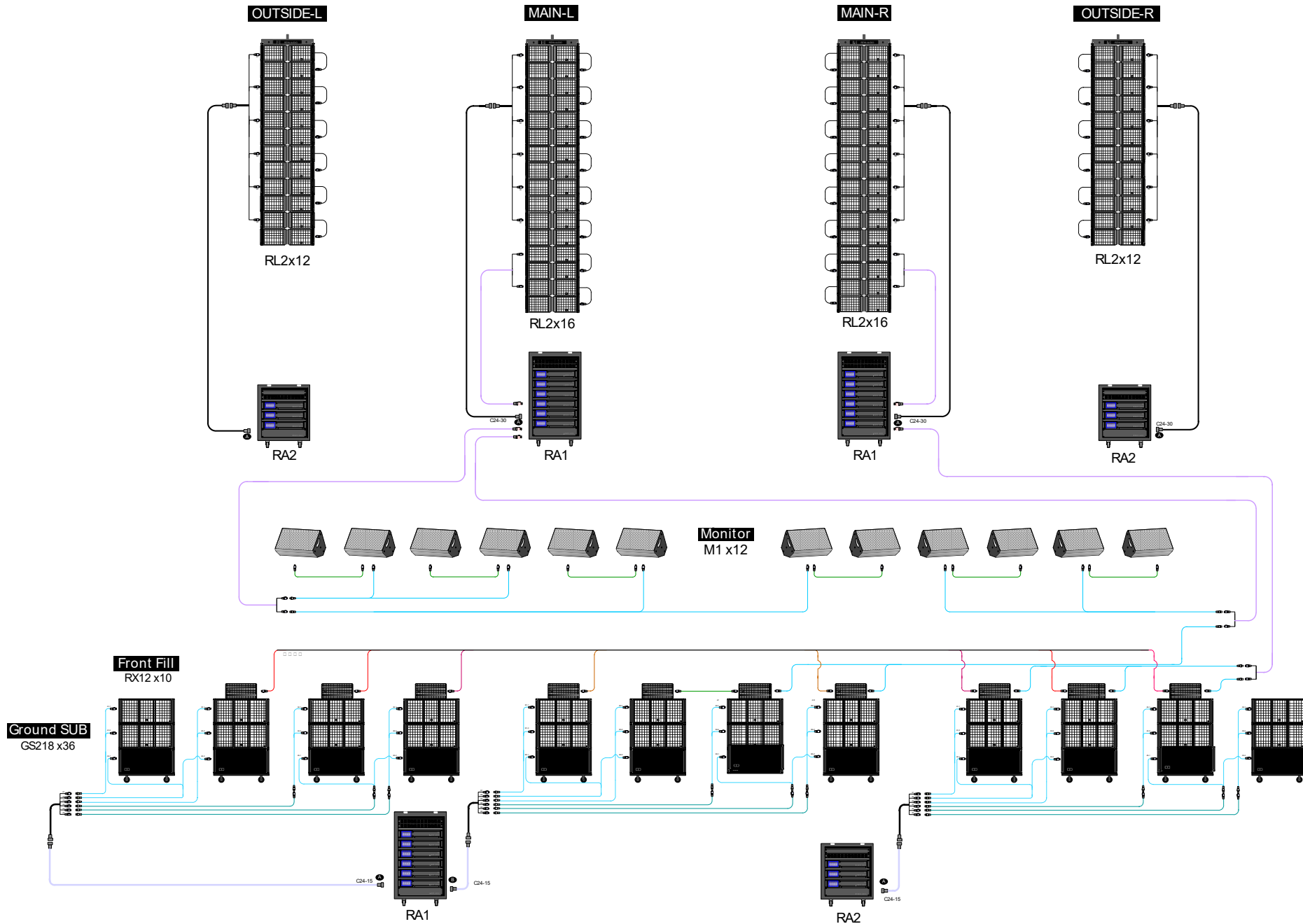


Arena network and power configuration list

Power system		
Product Code	Model	PCS
—	225A Power Distribution Unit	1
—	125A Power Distribution Unit	1
—	Main Power Cable 70mm x5@50M (Socapex Connector x5)	1
—	Distribution Power Cable 35mm x5@30M (Socapex Connector x5)	1
—	Power Cable 32A(5x6mm)@30M	2
3205028037	Cables Flight Case	5

Network system		
Product Code	Model	PCS
12122300200001 RA3 *1PCS 12120100208817 SW10 *2PCS	RA3 Network cabinet	1
3017039111	R-80	2
3017039112	R-60	2
3017039109	R-30	6
3017039107	R-5	6
3017013510	S-1F-2×0.6M	3
3017039106	S-30	6
3017039104	S-5	2
3205028037	Cables Flight Case	2

III. Music Festival System Solution

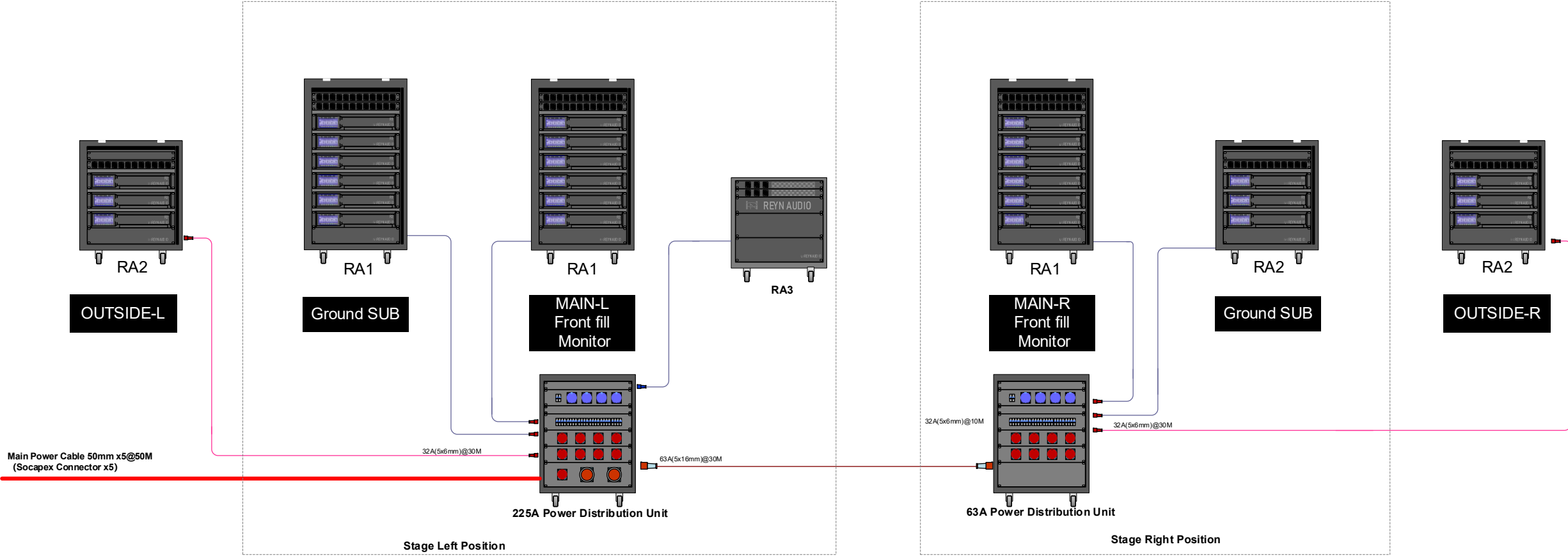


Music festival product configuration list

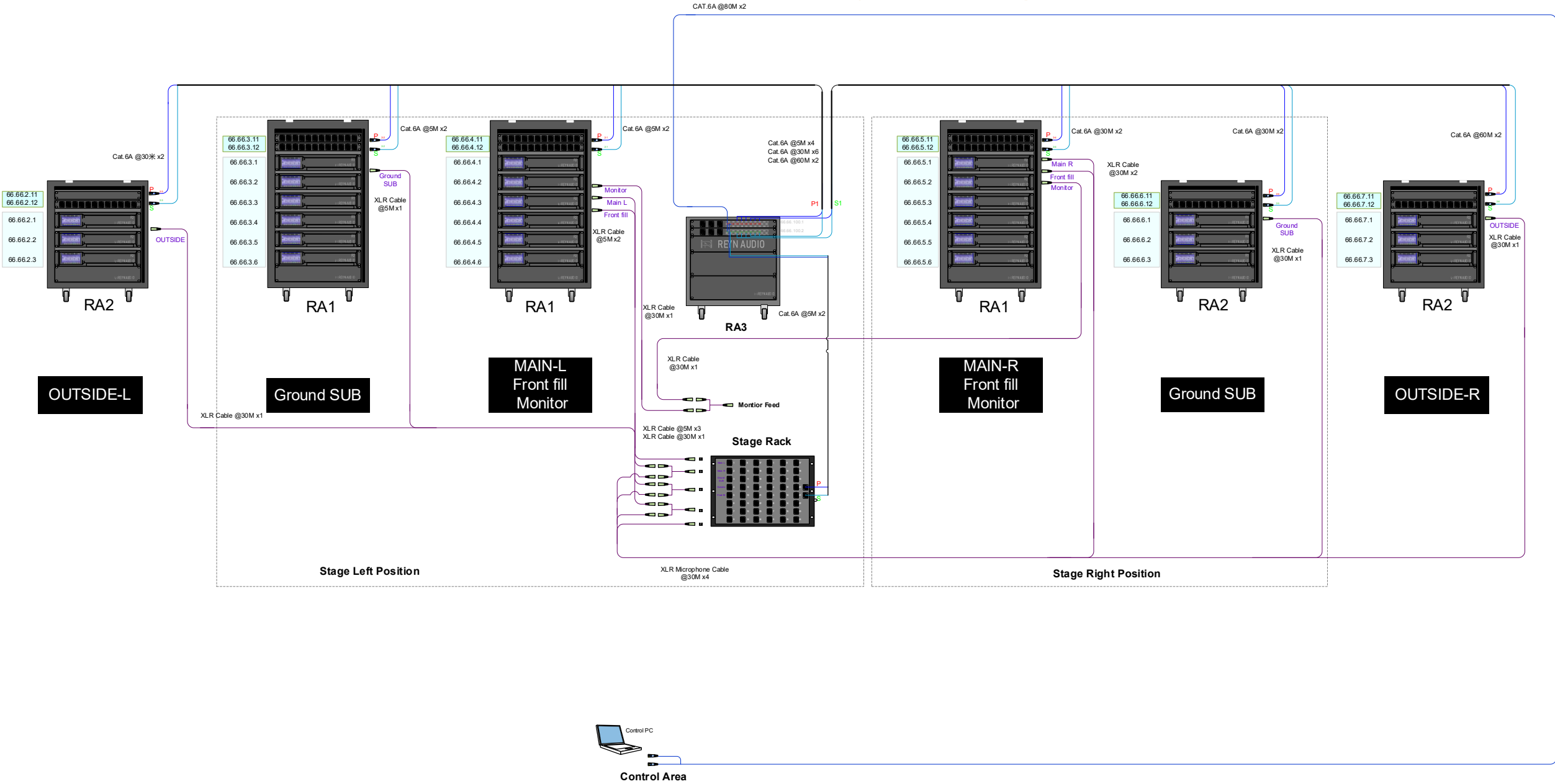
Speakers and amplifier equipment		
Product Code	Model	PCS
12316000209411	RL2	56
12319400208139	GS218	36
12316900205068	RX12	10
12318100206043	M1	12
12121100209983 RA1 *1PCS 12121200209619 S1 *1PCS (short) 12121200209620 S1 *1PCS (long) 12120000209648 SW8 *2PCS 12121400209584 A1 *1PCS	RA1 Amplifier Cabinet (6xR2)	2
	RA1 Amplifier Cabinet (6xR1)	1
12120900200001 RA2 *1PCS 12121200209619 S1 *1PCS 12120000209648 SW8 *2PCS 12121300209609 A2 *1PCS	RA2 Amplifier Cabinet (3xR2)	2
	RA2 Amplifier Cabinet (3xR1)	1
12120201169478	R1 Amplifier x9	—
12119901169479	R2 Amplifier x18	—

Audio accessories					
Product Code	Model	PCS	Product Code	Model	PCS
63583494	RL2 Hanger	4	3017005828	C24-15	3
3205028046	RL2 Hanger Flight Case	2	3017005827	C24-6x4M	4
63583864	RL2 Touring Cart	14	3017005820	N4F-2x4M	24
3202000409	RL2 Protective Cover	14	3017005829	N4F-2M	9
63583865	GS218	12	3017005822	N4-3	7
3202000543	GS218 Protective Cover	12	3017005823	N4-7	1
3205028033	RX12 Flight Case	5	3017005824	N4-15	1
3205028027	M1 Flight Case	6	3017005825	N4-30	2
63583969	RA2 Hanger (Optional)	3	3017005817	N8-2x4M 15	5
3017005819	C24-30	4	3205028037	Cables Flight Case	4

Music festival power system diagram



Music festival network system diagram

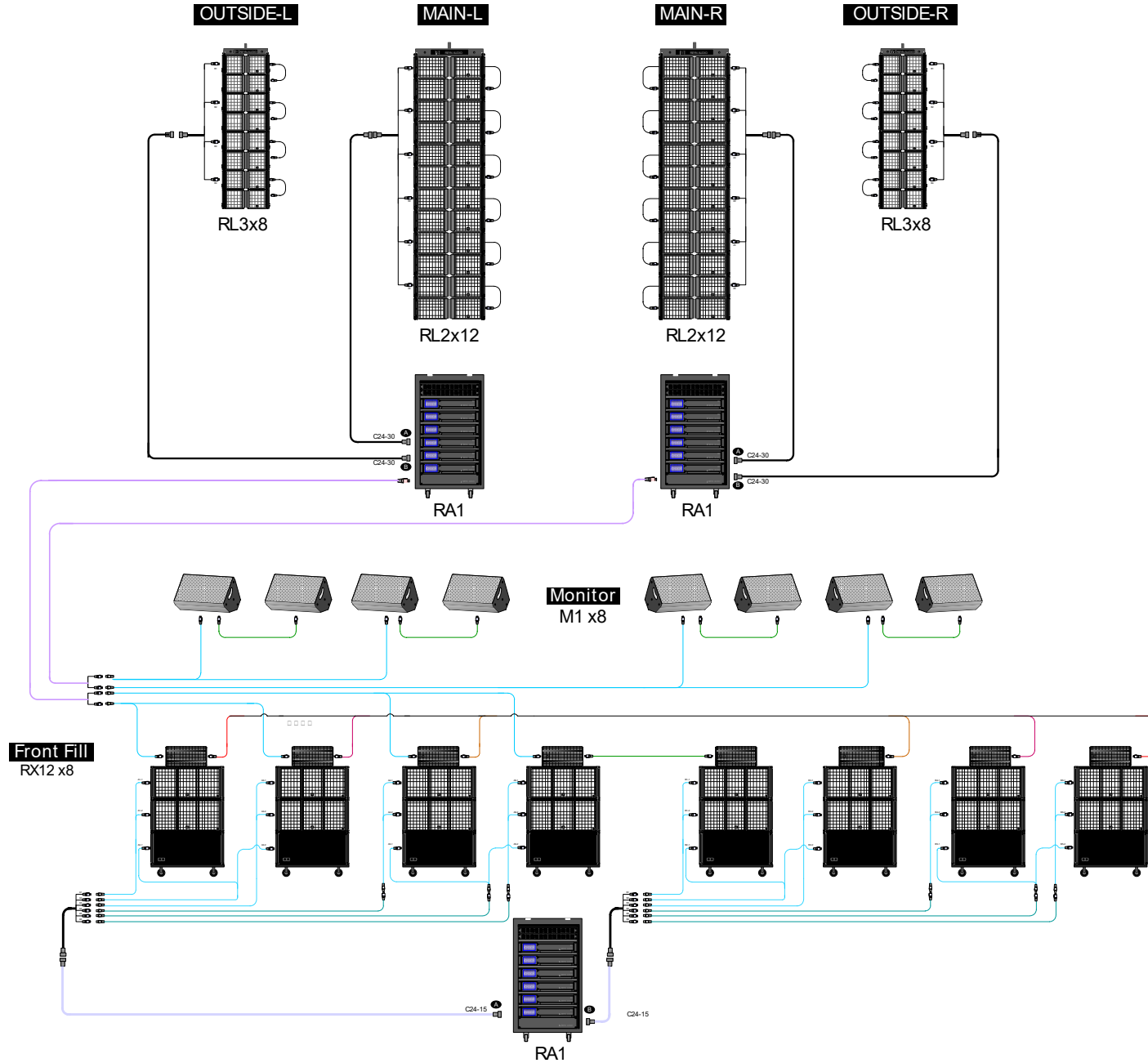


Festival network power configuration list

Power system		
Product Code	Model	PCS
—	225A Power Distribution Unit	1
—	63A Power Distribution Unit	1
—	Main Power Cable 70mm x5@50M (Socapex Connector x5)	1
—	Power Cable 63A(5x6mm)@30M	1
—	Power Cable 32A(5x6mm)@30M	2
3205028037	Cables Flight Case	3

Network system		
Product Code	Model	PCS
12122300200001 RA3 *1PCS 12120100208817 SW10 *2PCS	RA3 Network cabinet	1
3017039111	R-80	2
3017039112	R-60	2
3017039109	R-30	6
3017039107	R-5	6
3017013510	S-1F-2×0.6M	4
3017039106	S-30	7
3017039104	S-5	3
3205028037	Cables Flight Case	2

IV、 Indoor Venue System Solution

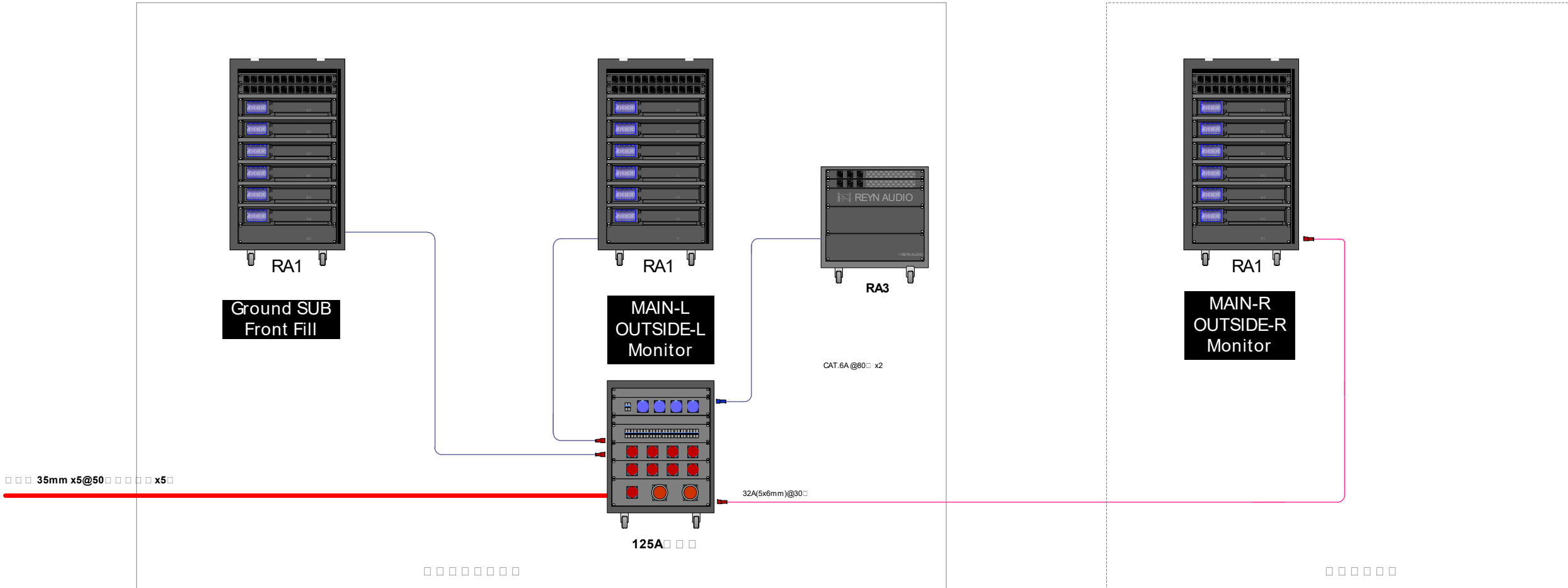


Indoor Venue product configuration list

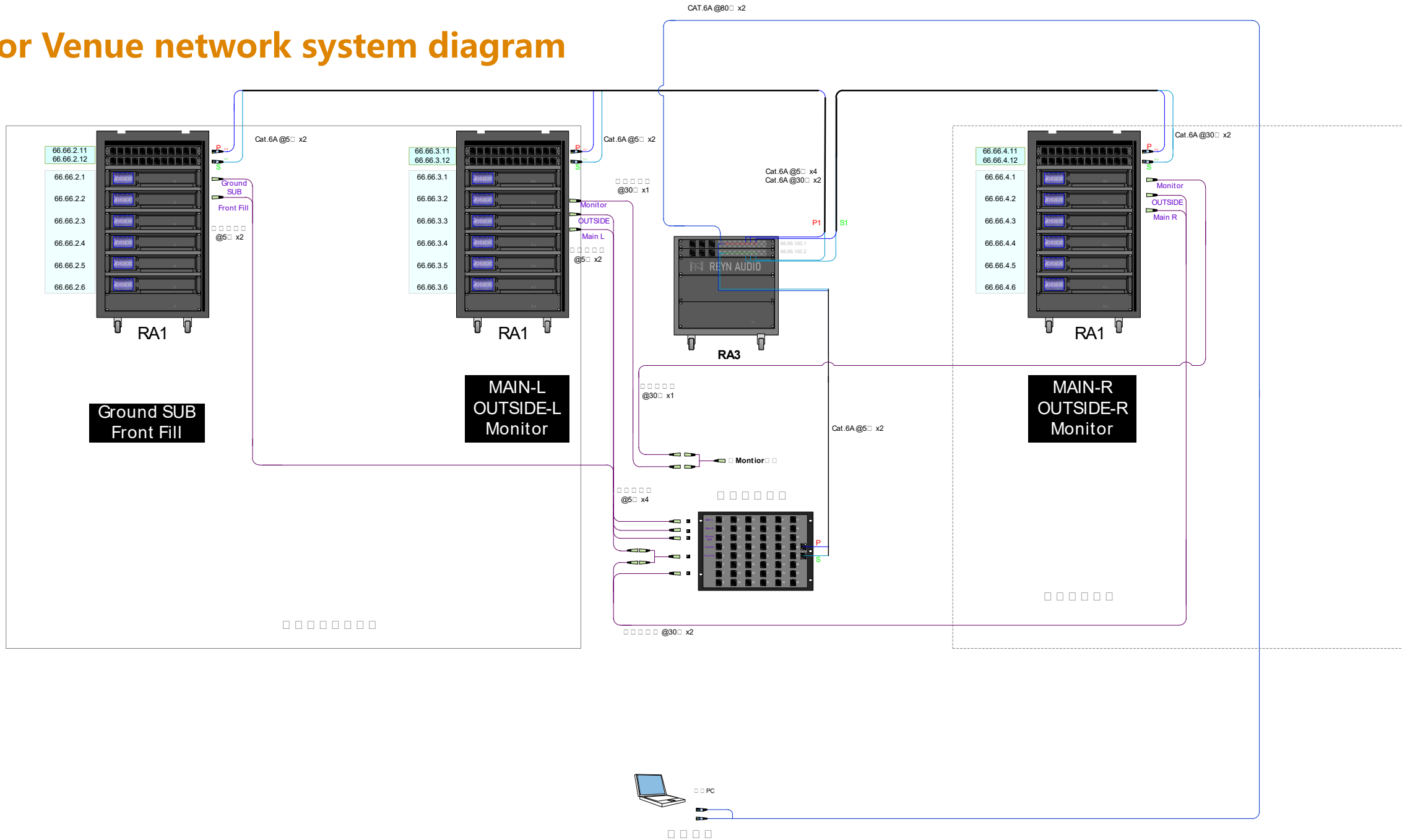
Speakers and amplifier equipment		
Product Code	Model	PCS
1231600020941	RL2	24
12316100208141	RL3	16
12319400208139	GS218	24
12316900205068	RX12	8
12318100206043	M1	8
12121100209983 RA1 *1PCS 12121200209619 S1 *1PCS (short) 12121200209620 S1 *1PCS (long) 12120000209648 SW8 *2PCS 12121400209584 A1 *1PCS	RA1 Amplifier Cabinet (6xR2)	2
	RA1 Amplifier Cabinet (6xR1)	1
12120201169478	R1 Amplifier x6	—
12119901169479	R2 Amplifier x12	—

Audio accessories					
Product Code	Model	PCS	Product Code	Model	PCS
63583494	RL2 Hanger	2	3017005819	C24-30	4
3205028046	RL2 Hanger Flight Case	1	3017005828	C24-15	2
63583864	RL2 Touring Cart	6	3017005827	C24-6x4M	6
3202000409	RL2 Protective Cover	6	3017005820	N4F-2x4M	16
63584154	RL3 Hanger	2	3017005829	N4F-2M	6
3205028053	RL3 Hanger Flight Case	1	3017005821	N4-0.6	8
63584200	RL3 Touring Cart	4	3017005822	N4-3	5
3202000407	RL3 Protective Cover	4	3017005823	N4-7	1
63583865	GS218 Touring Cart	8	3017005824	N4-15	1
3202000543	GS218 Protective Cover	8	3017005825	N4-30	1
3205028033	RX12 Flight Case	4	3017005817	N8-2x4M 15	2
3205028027	M1 Flight Case	4	3205028037	Cable Flight Case	4

Indoor Venue power system diagram



Indoor Venue network system diagram

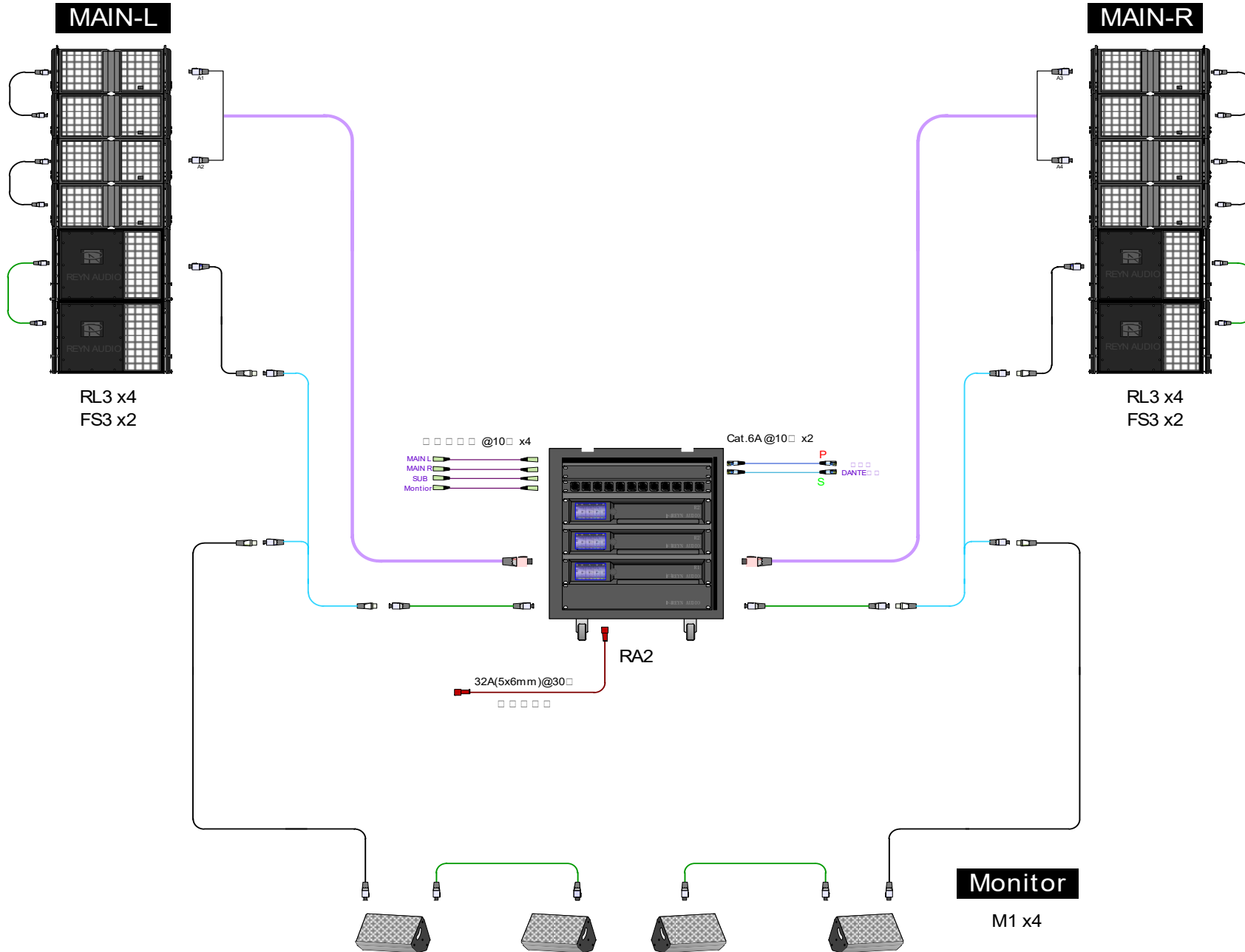


Indoor Venue network power configuration list

Power system		
Product Code	Model	PCS
—	125A Power Distribution Unit	1
—	Main Power Cable 35mm x5@50M (Socapex Connector x5)	1
—	Power Cable 32A(5x6mm)@30M	1
3205028037	Cables Flight Case	3

Network system			
Product Code	Model	PCS	
12122300200001 RA3 *1PCS 12120100208817 SW10 *2PCS	RA3 Network cabinet	1	
3017039111	R-80	2	
3017039109	R-30	2	
3017039107	R-5	6	
3017013510	S-1F-2×0.6M	2	
3017039106	S-30	4	
3017039104	S-5	4	
3205028037	Cables Flight Case	1	

V、RL3(8+4) System Solution



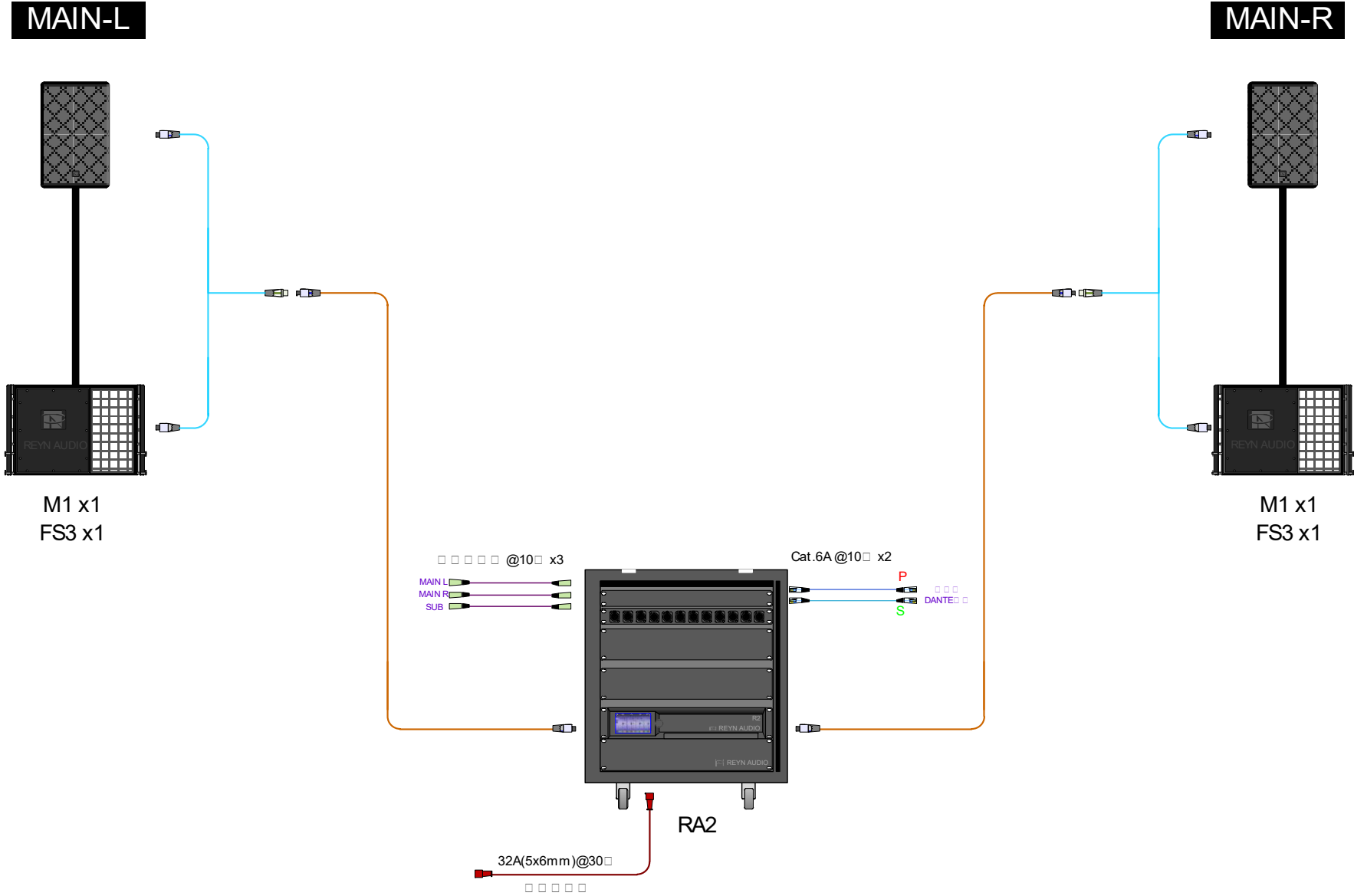
Speakers and amplifier equipment

Product Code	Model	PCS
12316100208141	RL3	8
12319600208140	FS3	4
12318100206043	M1	4
12120900200001 12121200209619 12120000209648 12121300209609 12119901169479 12120201169478	RA2 *1PCS S1 *1PCS SW8 *2PCS A2 *1PCS R2 *2PCS R1 *1PCS	RA2 Amplifier Cabinet 2*R2 Amplifier 1*R1 Amplifier

Audio accessories

Product Code	Model	PCS
3205028051	RL3 Flight Case	4
3205028052	FS3 Flight Case	4
3205028027	M1 Flight Case	2
3017005821	N4-0.6	4
3017005822	N4-3	6
3017005820	N4F-2x4M	2
3017005830	N4F-10M	4
3017005817	N8-2x4M 15	2
3017039108	R-10	2
3017039105	S-10	4
3205028037	Cables Flight Case	1
63583969	RA2 Hanger (optional)	1
—	Power Cable 32A(5x6mm) @30M	1

M1 + FS3 Compact System Solution



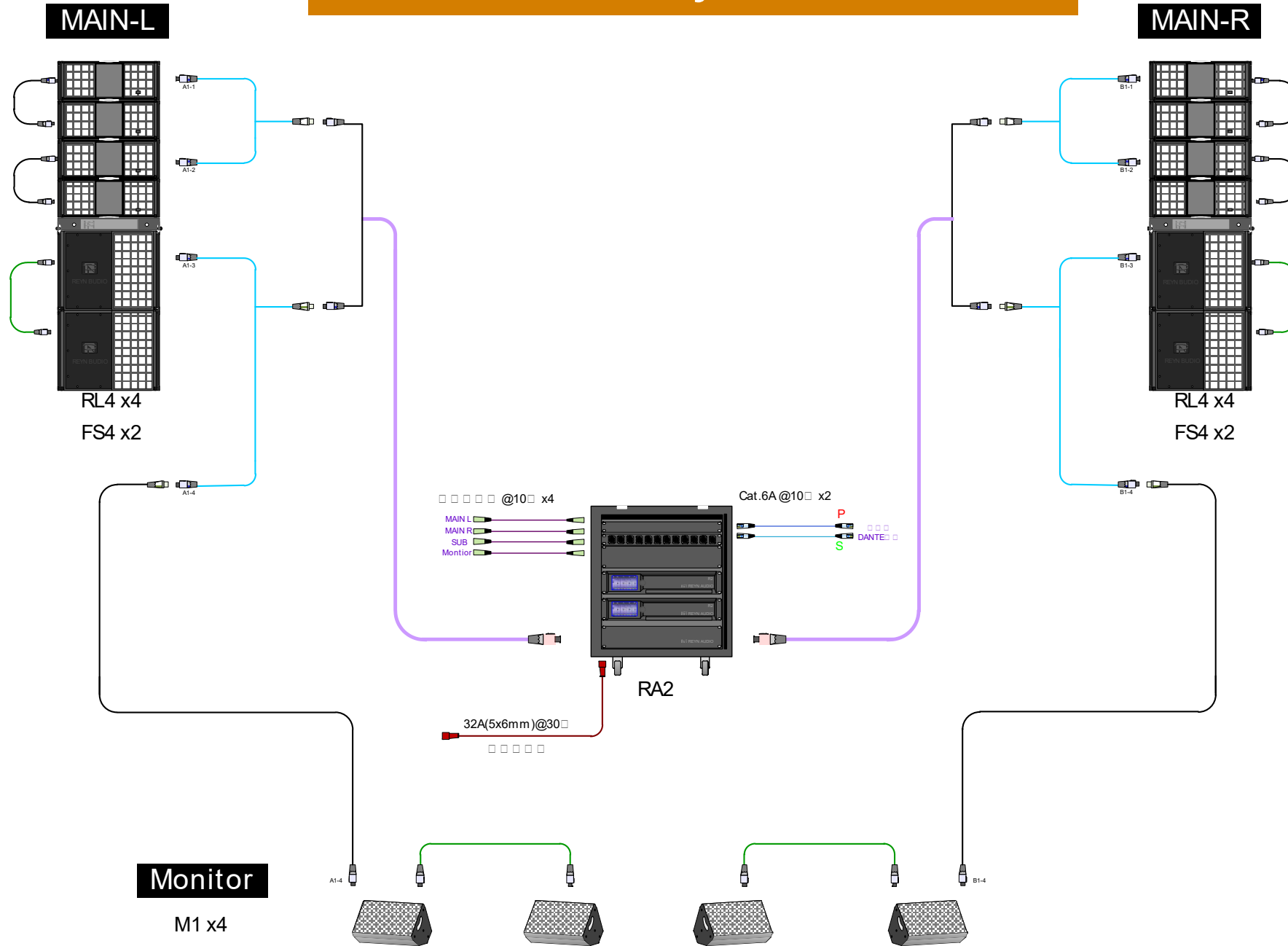
Speakers and amplifier equipment

Product Code	Model	PCS
12319600208140	FS3	2
12318100206043	M1	2
12120900200001 12121200209619 12120000209648 12121300209609 12119901169479	RA2 *1PCS S1 *1PCS SW8 *2PCS A2 *1PCS R2 *1PCS	1 RA2 (1*R2 Amplifier)

Audio accessories

Product Code	Model	PCS
3205028052	FS3 Flight Case	2
3205028027	M1 Flight Case	2
3002004717	Straight Rod Support Frame	2
3017005823	N4-7	2
3017005820	N4F-2x4M	2
3017039108	R-10	2
3017039105	S-10	3
3205028037	Cables Flight Case	1
63583969	RA2 Hanger (optional)	1
—	Power Cable 32A(5x6mm) @30M(optional)	1

VI、RL4(8+4) System Solution



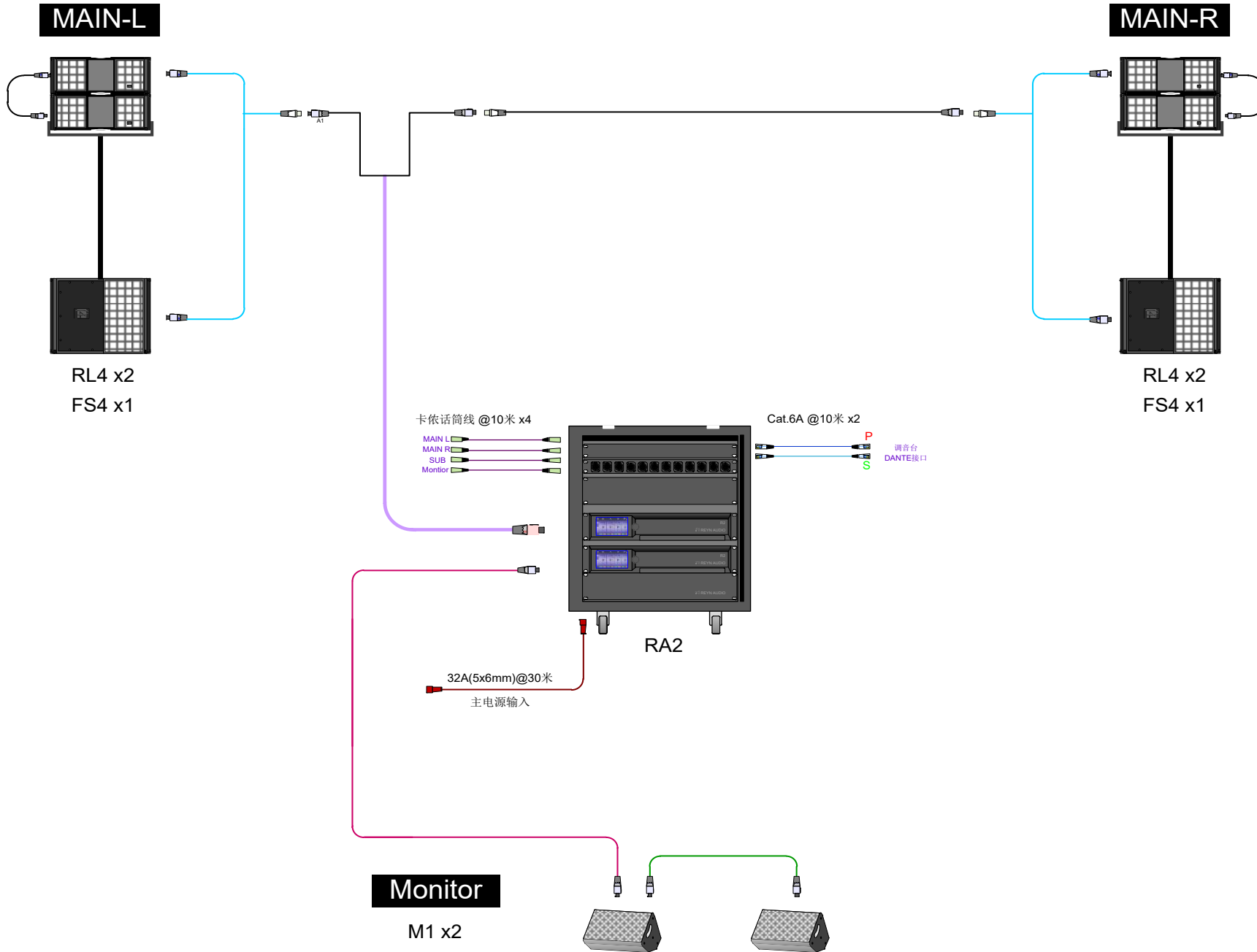
Speakers and amplifier equipment

Product Code	Model	PCS
12321500200001	RL4	8
12321600200001	FS4	4
12318100206043	M1	4
12120900200001	RA2	*1PCS
12121200209619	S1	*1PCS
12120000209648	SW8	*2PCS
12121300209609	A2	*1PCS
12119901169479	R2	*2PCS
	RA2 (2*R2 Amplifier)	1

Audio accessories

Product Code	Model	PCS
3205028056	RL4 Flight Case	2
3205028055	FS4 Flight Case	4
3205028027	M1 Flight Case	2
63584082	RL4 Hanger	2
3017005820	N4F-2x4M	4
3017005830	N4F-10M	2
3017005821	N4-0.6	4
3017005822	N4-3	4
3017005817	N8-2x4M 15	2
3017039108	R-10	2
3017039105	S-10	4
3205028037	Cables Flight Case	1
63583969	RA2 Hanger (optional)	1
—	Power Cable 32A(5x6mm) @30M(optional)	1

RL4(4+2) Compact System Solution



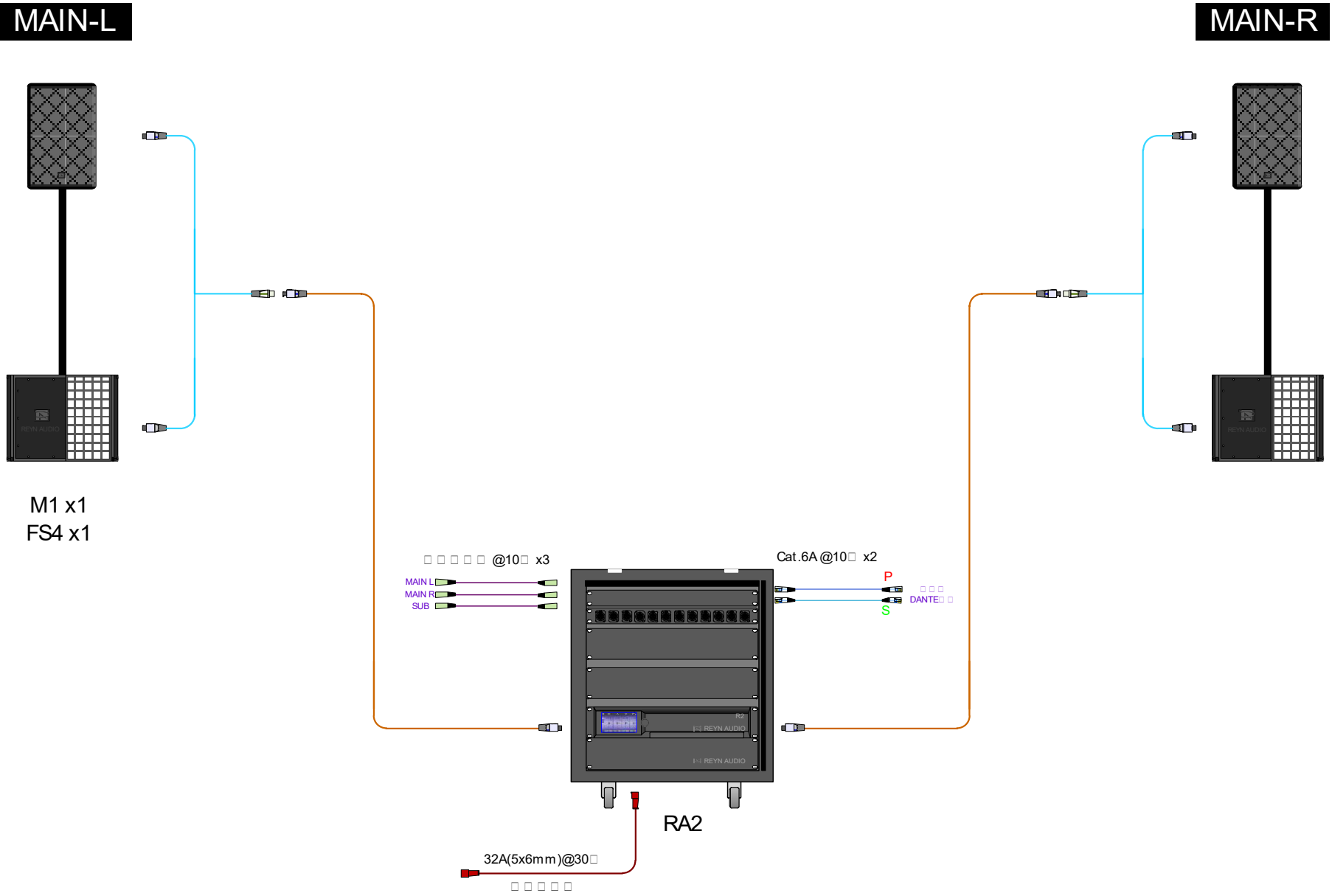
Speakers and amplifier equipment

Product Code	Model	PCS
12321500200001	RL4	4
12321600200001	FS4	2
12318100206043	M1	2
12120900200001 12121200209619 12120000209648 12121300209609 12119901169479	RA2 *1PCS S1 *1PCS SW8 *2PCS A2 *1PCS R2 *2PCS	RA2 (2*R2 Amplifier)

Audio accessories

Product Code	Model	PCS
3205028056	RL4 Flight Case	1
3205028055	FS4 Flight Case	2
3205028027	M1 Flight Case	2
—	RL4 Horizontal Support Frame	2
3002004717	Straight Rod Support Frame	2
3017005820	N4F-2x4M	2
3017005817	N8-2x4M 15	2
3017005830	N4F-10M	1
3017005821	N4-0.6	2
3017005822	N4-3	1
3017005824	N4-15	1
3017039108	R-10	2
3017039105	S-10	3
3205028037	Cables Flight Case	1
63583969	RA2 Hanger (optional)	1
—	Power Cable 32A(5x6mm) @30M(optional)	1

M1 + FS4 Compact System Solution



Speakers and amplifier equipment		
Product Code	Model	PCS
12321600200001	FS4	2
12318100206043	M1	2
12120900200001 12121200209619 12120000209648 12121300209609 12119901169479	RA2 *1PCS S1 *1PCS SW8 *2PCS A2 *1PCS R2 *1PCS	1 (1*R2 Amplifier)
Audio accessories		
Product Code	Model	PCS
3205028055	FS4 Flight Case	2
3205028027	M1 Flight Case	2
3002004717	Straight Rod Support Frame	2
3017005823	N4-7	2
3017005820	N4F-2x4M	2
3017039108	R-10	2
3017039105	S-10	3
3205028037	Cables Flight Case	1
63583969	RA2 Hanger (optional)	1
—	Power Cable 32A(5x6mm) @30M(optional)	1

Product List (1)

RL15

Dual 15" 3-way enclosure, Bi-amplified

Frequency Response(-10dB): 35Hz-20KHz
Maximum output sound pressure level(SPL): 149dB
Direction: H(70° -90° -110°) V5°
Net weight: 98 kg (216.1 lbs)



RL1

Dual 12" 3-way active enclosure, quad-amplified

Frequency Response (-10dB) : 35Hz-20kHz
Maximum output sound pressure level (SPL): 147dB
Direction: H: 90° -110° V: 5°
Net weight: 102 kg (224.9 lbs)



RL2

Dual 12" 3-way enclosure, Bi-amplified

Frequency Response(-10dB) : 40Hz-20KHz
Maximum output sound pressure level (SPL) : 147dB
Direction: H(70° -90° -110°) V8°
Net weight: 71 kg (156.5 lbs)



RL3

Dual 10" 3-way enclosure, Bi-amplified

Frequency Response-5dB) : 55Hz-20KHz
Maximum output sound pressure level (SPL) : 142dB
Direction: H(70° -90° -110°) V10°
Net weight: 44 kg (97 lbs)



RL4

Dual 8" 2-way passive enclosure

Frequency response(-5dB) : 60Hz-20KHz
Maximum output sound pressure level SPL): 139dB
Direction: H (90°-110°) V 10°
Net weight: 20 kg (44.1 lbs)



RX8

High-Performance Dual 8" 2-way passive built-in crossover

Frequency response(-5dB): 70Hz-19kHz
Maximum output sound pressure level(SPL): 134dB
Direction: H: 75° V: 40° (rotatable)
Net weight: 16 kg (35.3 lbs)



RX12

High-Performance Dual 12" 3-way passive built-in crossover

Frequency response(-5dB) : 68Hz-19KHz
Maximum output sound pressure level(SPL) : 141dB
Direction: H: 75° V: 40° (rotatable)
Net weight: 38 Kg (83.8 lbs)



M1

High-Performance Dual 15" 2-way passive built-in crossover

Frequency Response(-5dB) : 55Hz-18KHz
Maximum output sound pressure level(SPL) : 134.4dB
Direction: H: 80° V: 50° (rotatable)
Net weight: 23 kg (50.7 lbs)



FS3

Single 18" Premium High-Power Subwoofer

Minimum frequency limit(-10dB): 35Hz
Maximum output sound pressure level (SPL): 140.3dB
Direction: Standard
Net weight: 45 kg (99.2 lbs)



FS4

Single 18" Premium High-Power Subwoofer

Minimum frequency limit(-10dB): 37Hz
Maximum output sound pressure level (SPL): 137.8dB
Direction: Standard
Net weight: 44 kg (97 lbs)



GS218

Dual 18" Premium High-Power Subwoofers

Minimum frequency limit(-10dB): 25Hz
Maximum output sound pressure level (SPL): 143dB
Direction: Standard or Cardioid
Net weight: 82 kg (180.8 lbs)



R1

4-channel high performance amplifier with DSP

Circuit type: switching power supply & TD type output stage
Output Power : 2300W@8Ω
4400W@4Ω 5000W@2Ω
Net weight: 19 kg (41.9 lbs)



R2

4-channel high performance amplifier with DSP

Circuit type: switching power supply & TD type output stage
Output Power : 1300W@8Ω
2100W@4Ω 2500W@2Ω
Net weight: 18 kg (39.7 lbs)



RA1

Amplifier Cabinet

Audio signal input : Analog, AES/EBU, Dante
Maximum number of amplifiers that can be included : 6 units amplifier, 2 units S1, 2 units SW8, 1 unit A1



RA2

Amplifier Cabinet

Audio signal input : Analog, AES/EBU, Dante
Maximum number of amplifiers that can be included : 3 units amplifier 1 unit S1, 2 units SW8, 1 unit A2



RA3

Network cabinet

Power input and output: 8 - pin international socket, 16A plug, 2.5 square millimeters 2 - meter cable, 4000W 3U Drawer * 2 (Convenient for storing short network cables) 2 units of SW10 (Maximum expansion to 4 units)



Product List (2)

Tri-Frame

Bumper

Spec: Adjust the horizontal angle of the line array $\pm 10^\circ$
Net weight: 10 kg (22 lbs)
TÜV SÜD Certificate No.: 64.190.25.3931.01-00



RL15 Protective Cover

Protective Cover

Spec: 4 in 1
Net weight: 6 kg (13.2 lbs)



RL1 Compression Frame

Bumper

Spec: Compress a force of one ton.
Net weight: 21 kg (46.3 lbs)



RL1 Bumper Flight Case

Flight Case

Spec: 2 RL1 Hanger and 2 Lever hoist
Net weight: 55 kg (121.3 lbs)



RL15 Bumper

Bumper

Spec: Maximum load capacity: 24 RL15
Net weight: 105 kg (231.5 lbs)
TÜV SÜD Certificate No.: 64.190.24.0765.01-00



RL15 Bumper Flight Case

Flight Case

Spec: 2 RL15 Hanger and 2 tri plate
Net weight: 110 kg (242.5 lbs)



RL1 Touring Cart

Touring Cart

Spec: 4 in 1
Net weight: 37 kg (81.6 lbs)



RL2 Bumper (Include 1 AL1 Remote Unit)

Bumper

Spec: Maximum load capacity : 24 RL2
Net weight: 71 kg (156.5 lbs)
TÜV SÜD Certificate No.: 64.190.24.0429.01-01



RL15 covert to RL2 Bumper

Bumper

Spec: Maximum load capacity: 12 RL2
Net weight: 24 kg (52.9 lbs)
TÜV SÜD Certificate No.: 64.190.24.5068.01-00



RL15 covert to RL2 Bumper

Flight Case

Spec: 2 Hanger and 2 chain hoist
Net weight: 46 kg (101.4 lbs)



RL1 Protective Cover

Protective Cover

Spec: 4 in 1
Net weight: 8 kg (17.6 lbs)



RL2 Compression Frame

Bumper

Spec: Compress a force of one ton
Net weight: 18 kg (39.7 lbs)



RL15 Touring Cart

Touring Cart

Spec: 4 in 1
Net weight: 53 kg (116.8 lbs)



RL1 Bumper

Bumper

Spec: Maximum load capacity: 24 RL1
Net weight: 92 kg (202.8 lbs)
TÜV SÜD Certificate No.: 64.190.24.0023.01-00



RL1 Hanger Flight Case

Flight Case

Spec: 2 RL1 Hanger and 2 tri plate
Net weight: 97 kg (213.8 lbs)



RL2 Touring Cart

Touring Cart

Spec: 4 in 1
Net weight: 55 kg (121.3 lbs)



Product List (3)

RL2 Tour Cart Stand (optional)

Cart Stand



RL3 Bumper (Include 1 AL1 Remote Unit)

Hanger

Spec: Maximum load capacity:
24 RL3/24 FS3
Net weight: 46 kg (101.4 lbs)
TÜV SÜD Certificate No.:



RL3 Hanger Flight Case

Flight Case

Spec: 2 in 1
Net weight: 40 kg (88.2 lbs)



RX8 Vertical Hanger (Clamp)

Spec: Maximum load capacity:
1 in 1
Net weight: 6 kg (13.2 lbs)



RL2 Protective Cover

Protective Cover

Spec: 4 in 1
Net weight: 6 kg (13.2 lbs)



RL3 Touring Cart

Touring Cart

Spec: 4 in 1
Net weight: 54 kg (119 lbs)



RL4 Bumper

Bumper

Spec: Maximum load capacity:
24 RL4/24 FS3
Net weight: 11 kg (24.3 lbs)
TÜV SÜD Certificate No.:
64.190.26.3101.01-00



RX8 Vertical Hanger (Support Frame)

Bumper

Spec: Maximum load capacity:
1 in 1
Net weight: 7 kg (15.4 lbs)



RL2 Bumper Flight Case

Flight Case

Spec: 2 in 1
Net weight: 87 kg (191.8 lbs)



RL3 Flight Case

Flight Case

Spec: 2 in 1
Net weight: 42kg (92.6 lbs)



RL4 Flight Case

Flight Case

Spec: 4 in 1
Net weight: 44 kg (97 lbs)



RX8 Flight Case

Flight Case

Spec: 4 in 1
Net weight: 40 kg (88.2 lbs)



RL2 Bumper Flight Case

Flight Case

Spec: 2 RL2 Hanger and 2
Lever hoist
Net weight: 53 kg (146.8 lbs)



RL3 Protective Cover

Protective Cover

Spec: 4 in 1
Net weight: 3 kg (6.6 lbs)



RX8 Horizontal Hanger

Hanger

Spec: 1 in 1
Net weight: 1 kg (2.2 lbs)



RX8 Speaker & Bumper Flight Case

Flight Case

Spec: 4 pieces RX8 and 2 pieces
RX8 Hanger
Net weight: 51 kg (112.4 lbs)



Product List (4)

Tripod Stand

Support Frame

Applicable models: RX8, RX12, M1



RX12 Vertical Hanger (Support Frame)

Hanger

Spec: 1 in 1
Net weight: 9 kg (19.8 lbs)



M1 Protective Cover

Protective Cover

Spec: 1 in 1
Net Weight: 1.3 kg (2.9 lbs)



FS3 Flight Case

Flight Case

Spec: 1 in 1
Net weight: 48 kg (105.8 lbs)



Straight Bar Stand

Support Frame

Applicable models: RX8, RX12, M1



RX12 Flight Case

Flight Case

Spec: 2 in 1
Net weight: 40 kg (88.2 lbs)



M1 Flight Case

Flight Case

Spec: 2 in 1
Net weight: 42 kg (92.6 lbs)



FS4 Flight Case

Flight Case

Spec: 1 in 1 (can choose to use one flight case for both the hanger and the audio)
Net weight: 53 kg (116.8 lbs)



RX12 Horizontal Hanger

Hanger

Spec: 1 in 1
Net weight: 4 kg (8.8 lbs)



RX12 Hanger Flight Case

Flight Case

Spec: 4 pieces RX12 and 2 pieces RX12 Hanger
Net weight: 61 kg (134.5 lbs)



M1 Bumper Flight Case

Flight Case

Spec: 2 M1 and M1 Hnager
Net weight: 52 kg (114.6 lbs)



GS218 Bumper

Bumper

Spec: Maximum load capacity: 24 GS218
Net weight: 86 kg (190 lbs)
TÜV SÜD Certificate No.: 64.190.25.3241.01-00



RX12 Vertical Hanger (Clamp)

Hanger

Spec: Maximum load capacity: 1 in 1
Net weight: 9 kg (19.8 lbs)



M1 Hanger

Hanger

Spec: Maximum load capacity: 1 in 1
Net weight: 4 kg (8.8 lbs)



FS3 Protective Cover

Protective Cover

Spec: 2 in 1
Net weight: 3 kg (6.6 lbs)



GS218 Touring Cart

Touring Cart

Spec: 2 in 1 / 3 in 1
Net weight: 38 kg (83.8 lbs)



Product List (5)

GS218 Protective Cover

Protective Cover

Spec: 2 in 1
Net weight: 6 kg (13.2 lbs)



GS218 Protective Cover

Protective Cover

Spec: 3 in 1
Net weight: 7 kg (15.4 lbs)



GS218 Hanger Flight Case

Flight Case

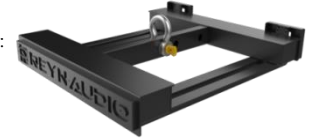
Spec: 2 in 1
Net weight: 78 kg (172.0 lbs)



RA2 Bumper

Bumper

Spec: Maximum load capacity:
2 in 1
Net weight: 18.5 kg (40.8 lbs)
TÜV SÜD Certificate No.:
64.190.25.3242.01-00



SW8

Network Audio Distributor



SW10

Network Audio Distributor



S1

Network Distributor



A1

Power and Network Distributor



A2

Power and Network Distributor



AL

AL Control Unit

Comply with AL1 remote unit,
Dedicated Data Acquisition &
Monitoring Terminal



AL1

AL1 Remote Unit

Precision Acoustic Distance Sensor



Acoustic system platform



TURANDOT is an industry-leading acoustic software management platform integrating simulation and control, utilized for spatial modeling, acoustic optimization, parameter prediction, and real-time audio control.

Cable Specifications

C24-30 / C24-15

24-pin speaker cable 30M/15M



C24-6x4M

24-pin fanned-tail speaker cable



N4-0.6/N4-3/N4-7/N4-15/N4-30

4-pin speaker cable 0.6M/3M/7M/15M/30M



N4F-2M/N4F-10M

4-pin speaker cable 2M/10M



N4F-2x4M

4-pin speaker adapter cable



N8F-15M / N8F-30M

8-pin speaker cable 30M/15M



N8-2x4M 15 / N8-2x4M 30

8-pin speaker adapter cable 15M/30M



S-0.3/S-2/S-5/S-10/S-30

Speaker signal cable 0.3M/5M/10M/30M



S-1F2x0.6M

1-to-2 speaker signal cable 0.6M



R5/R10/R30/R60/R80

CAT6 5M/10M/30M/60M/80M



G200/G400

Fiber optics 200M/400M



Cable Flight Case

Flight Case



Cable List (1)



C 24-15

24-pin speaker cable
Product Code:3017005828



C 24-30

24-pin speaker cable
Product Code:3017005819



C 24-6x4M

24-pin fanned-tail speaker cable
Product Code:3017005827



N8-2x4M 15

8-pin speaker cable
Product Code: 3017005817



N8-2x4M 30

8-pin speaker adapter cable
Product Code: 3017005831



N8F-15M

8-pin speaker cable
Product Code: 3017005834



N8F-30M

8-pin speaker cable
Product Code: 3017005835



N4F-2x4M

4-pin speaker adapter cable
Product Code: 3017005820

Cable List (2)



N4-0.6

4-pin speaker cable

Product Code: 3017005821



N4-3

4-pin speaker cable

Product Code: 3017005822



N4-7

4-pin speaker cable

Product Code: 3017005823



N4-15

4-pin speaker cable

Product Code: 3017005824



N4-30

4-pin speaker cable

Product Code: 3017005825



N4-50

4-pin speaker cable

Product Code: 3017005826



N4F-2M

4-pin speaker cable

Product Code: 3017005829



N4F-10M

4-pin speaker cable

Product Code: 3017005830

Cable List (3)



S-0.3

speaker signal cable

Product Code: 3017039103



S-2

speaker signal cable

Product Code: 3017039117



S-5

speaker signal cable

Product Code: 3017039104



S-10

speaker signal cable

Product Code: 3017039105



S-30

speaker signal cable

Product Code: 3017039106



S-1F2x0.6M

1-to-2speaker signal cable

Product Code: 3017013510



R-5

CAT6

Product Code: 3017039107



R-10

CAT6

Product Code: 3017039108

Cable List (4)



R-30

CAT6

Product Code: 3017039109



R-60

CAT6

Product Code: 3017039112



R-80

CAT6

Product Code: 3017039111



G200

Fiber optics

Product Code: 3017039110



G400

Fiber optics

Product Code: 3017039113



Cable flight Case

Product Code: 3205028037

C series 24-pin speaker cable

C 24-30

Length: 30M

Product Code: 3017005819

C 24-15

Length: 15M

Product Code: 3017005828

- **Durable Construction**

Metal mesh reinforcement at connector junctions, flexible cable with high tensile strength and easy storage (suitable for mobile performances), Plug fitted with protective sleeve + shrink sleeve for secure locking

- **Stress Relief**

PG36+ metal protection (Includes metal protective cover and metal braided mesh)

- **Interface Configuration**

LK connectors at both ends + EUROCABLE 4mm² wiring ensure connection quality

- **Environmental Adaptability**

Interface achieves IP68 high protection rating, suitable for demanding environments

- **Dedicated Positioning**

REYN AUDIO's premium connection solution customised for RA1/RA2 cabinets

- **Compatibility Assurance**

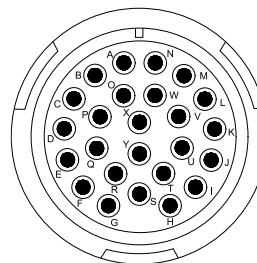
Designed to align with cabinet requirements, guaranteeing connection compatibility

- **Installation Efficiency**

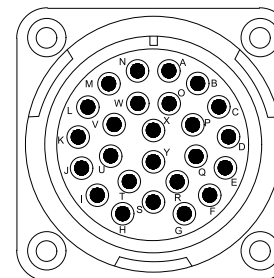
Streamlines and accelerates system deployment processes

- **System Value**

Establishes a robust foundation for system deployment and stable operation, ensuring reliable performance of live sound systems



Male Connector



Female Connector

C24-30 / C24-15

Cable	24 pin		Cable	24 pin	
Red 1+	A	1	Red 7+	M	13
Black 1-	B	2	Black 7-	N	14
Red 2+	C	3	Red 8+	O	15
Black 2-	D	4	Black 8-	P	16
Red 3+	E	5	Red 9+	Q	17
Black 3-	F	6	Black 9-	R	18
Red 4+	G	7	Red 10+	T	19
Black 4-	H	8	Black 10-	U	20
Red 5+	I	9	Red 11+	V	21
Black 5-	J	10	Black 11-	W	22
Red 6+	K	11	Red 12+	X	23
Black 6-	L	12	Black 12-	Y	24

Technical Specifications

Input Connector

Brand: LK
Model: LKA32/25RMV



Number of Pin	25
Connector Type	Cable
Connector Dimensions	32
Connector Housing Material	Aluminium
Pin Type	Crimp Termination
Number of Pins	25
Pin Core Material	Gold-plated Copper
Stress Relief	PG 36+Metal Shielding
Protection Rating	IP68

Output Connector

Brand: LK
Model: LKA32/25RMV



Number of Pin	25
Connector Type	Cable
Connector Dimensions	32
Connector Housing Material	Aluminium
Pin Type	Crimp Termination
Number of Pins	24
Pin Core Material	Gold-plated Copper
Stress Relief	PG 36
Protection Rating	IP68

24-pin speaker cable

Brand: EUROCABLE
Model: LK24N40



Number of cores	24	Conductor Material	Flexible Electrolytic Copper
Conductor strands	128	Test Voltage	2000 Vac
Bending radius	10 x O.D.	Sheath Nominal Thickness (mm)	2
Operating temperature DCR	-20°C to 70°C	Conductor Cross-sectional Area (mm ²)	4
Wire outer diameter (mm)	26.8	Conductor Insulation Outer Diameter (mm)	4
Strand outer diameter (mm)	0.193	Conductor Insulation Thickness (mm)	0.7
Sheath material	PVC TM2	Rated Voltage	300 Vac
Maximum conductor impedance ohm/km	4.95	Conductor Insulation Material	PVC

C series 24-pin fanned-tail speaker cable

C 24-6x4M

Product Code: 3017005827

- **Compatible with**

Requires connection to C24-30/C24-15 speaker cables

- **Durable Construction**

Reinforced metal mesh at interface adaptor points; flexible cable resists pulling and facilitates storage (suitable for touring applications).

Plug fitted with protective sleeve + shrink-fit collar for secure locking.

- **Interface Configuration**

PG36+ metal protection (incorporating metal protective cover and metal braided mesh).

- **Environmental Adaptability**

Interfaces achieve IP68 protection rating, withstanding demanding environments

- **Dedicated Positioning**

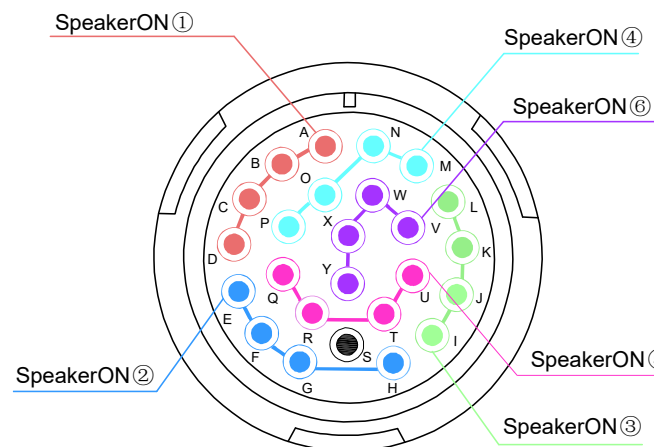
Features LK/NEUTRIK connectors + EURO-CABLE 4mm² wiring for assured connection quality

- **Setup Efficiency**

Streamlines and accelerates system installation processes

- **Interface Adaptability**

Resolves interface incompatibility issues between diverse equipment, addressing non-standardised connection challenges



PIN Spec

	24P Input		Output	
1	A	Red 1	①	1+
2	B	Black 1		1-
3	C	Red 2		2+
4	D	Black 2		2-
5	E	Red 3	②	1+
6	F	Black 3		1-
7	G	Red 4		2+
8	H	Black 4		2-
9	I	Red 5	③	1+
10	J	Black 5		1-
11	K	Red 6		2+
12	L	Black 6		2-
13	M	Red 7	④	1+
14	N	Black 7		1-
15	O	Red 8		2+
16	P	Black 8		2-
17	Q	Red 9	⑤	1+
18	R	Black 9		1-
19	T	Red 10		2+
20	U	Black 10		2-
21	V	Red 11	⑥	1+
22	W	Black 11		1-
23	X	Red 12		2+
24	Y	Black 12		2-
	S			NC

Technical Specifications

Input Connector

Brand: LK
Model: LKA32/25RMV



Number of Pin	25
Connector Type	Cable
Connector Dimensions	32
Connector Housing Material	Aluminium
Pin Type	Crimp Termination
Number of Pins	25
Pin Core Material	Gold-plated Copper
Stress Relief	PG 36+Metal Shielding
Protection Rating	IP68

Output Connector

Brand: NEUTRIK
Model: NL4FXX-W-L



Contact Resistance	≤2mΩ
Dielectric Strength	2.8 kVac
Cable Outer Diameter (mm)	10-16
Number of Electrical Contacts	4
Contacts	Copper alloy
Contact Plating	Silver-plated
Life Expectancy	Typically rated for 5,000 insertion cycles
Temperature Range	-33°C to 80 °C
Insulation Resistance	>10GQ(Initial Value)
Protection Rating	IP20

24-pin speaker cable

Brand: EUROCABLE
Model: LK24N40



Number of cores	24	Conductor Material	Flexible Electrolytic Copper
Conductor strands	128	Test Voltage	2000 Vac
Bending radius	10 x O.D.	Sheath Nominal Thickness (mm)	2
Operating temperature DCR	-20°C to70°C	Conductor Cross-sectional Area (mm ²)	4
Wire outer diameter (mm)	26.8	Conductor Insulation Outer Diameter (mm)	4
Strand outer diameter (mm)	0.193	Conductor Insulation Thickness (mm)	0.7
Sheath material	PVC TM2	Rated Voltage	300 Vac
Maximum conductor impedance ohm/km	4.95	Conductor Insulation Material	PVC

N8 series 8-pin speaker adapter cable

N8-2x4M 30

Length: 30M

Product Code: 3017005831

N8-2x4M 15

Length: 15M

Product Code: 3017005817



- System Compatibility**

Flexibly adapts to multiple REYN AUDIO systems, eliminating the need for cable replacement during equipment integration.

- Operational Characteristics**

Intuitive operation and efficient connectivity significantly streamline device interfacing procedures.

- Functional Expansion**

Extends eight-core cabling applications with power amplifiers, enhancing touring system flexibility.

- Compatibility Assurance**

Meets requirements for RA1/RA2 amplifier cabinets, ensuring connection compatibility. Breaks the limitations of four-core signal transmission being 'one-to-one', granting greater flexibility in audio system equipment pairing.

- Interface Configuration**

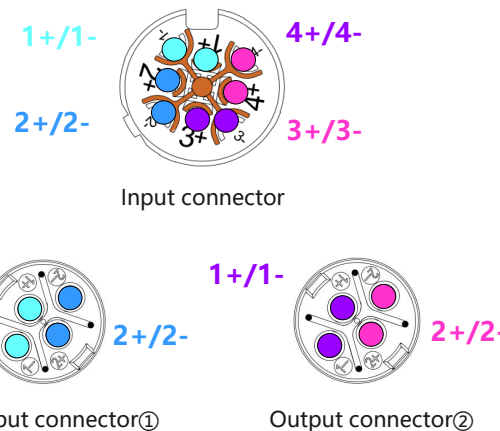
Features Neutrik connectors paired with Eurocable wiring at both ends to guarantee connection quality.

- Environmental Adaptability**

Interfaces achieve IP54 high protection rating, capable of withstanding demanding operational environments.

- Cable Applications**

Flexibly adjusts connection logic to accommodate diverse scenarios, enabling multi-device expansion and efficient signal distribution.



PIN Spec		
8P Input	4P Output①	4P Output②
1+	1+	/
1-	1-	/
2+	2+	/
2-	2-	/
3+	/	1+
3-	/	1-
4+	/	2+
4-	/	2-

Technical Specifications

Input Connector

Brand: NEUTRIK
Model: NLT8MXX-BAG



Contact Resistance	≤2mΩ
Dielectric Strength	1.5 kVac
Cable Outer Diameter (mm)	8-20
Contacts	Copper alloy
Contact Plating	Silver-plated
Life Expectancy	Typically rated for 5,000 insertion cycles
Temperature Range	-33°C to 80 °C
Insulation Resistance	> 10GQ(Initial Value)
Protection Rating	IP50

Output Connector

Brand: NEUTRIK
Model: NLT4FXX-BAG



Contact Resistance	≤2mΩ
Dielectric Strength	2.8 kVac
Cable Outer Diameter (mm)	10-16
Number of Electrical Contacts	4
Contacts	Copper alloy
Contact Plating	Silver-plated
Life Expectancy	Typically rated for 5,000 insertion cycles
Temperature Range	-33°C to 80 °C
Insulation Resistance	> 10GQ(Initial Value)
Protection Rating	IP20

8-pin speaker cable

Brand: EUROCABLE
Model: LK08N40



Number of cores	8
Outer sheath colour	16
Wire outer diameter (mm)	Flexible electrolytic copper
Conductor material	4
Conductor cross-sectional area (mm ²)	Analogue signal
Signal type	-20
Minimum operating temperature (°C)	70
Maximum operating temperature (°C)	143.8

N8 series 8-pin speaker cable

N8F-15M

Length: 15M

Product Code: 3017005834

N8F-30M

Length: 30M

Product Code: 3017005835



- **System Compatibility**

Flexibly adapts to multiple REYN AUDIO systems, eliminating the need for cable replacement during equipment integration.

- **Operational Characteristics**

Intuitive operation and efficient connectivity significantly streamline device interfacing procedures.

- **Functional Expansion**

Extends eight-core cabling applications with power amplifiers, enhancing touring system flexibility.

- **Compatibility Assurance**

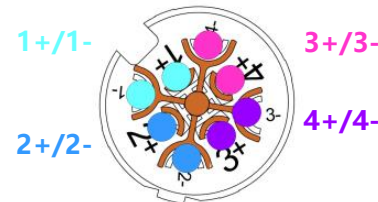
Meets requirements for RA1/RA2 amplifier cabinets, ensuring connection compatibility.

- **Interface Configuration**

Features Neutrik connectors paired with Eurocable wiring at both ends to guarantee connection quality.

- **Environmental Adaptability**

Interfaces achieve IP54 high protection rating, capable of withstanding demanding operational environments.



Input Connector



Output Connector

PIN Spec	
8P Input	8P Output
1+	1+
1-	1-
2+	2+
2-	2-
3+	3+
3-	3-
4+	4+
4-	4-

Technical Specifications

Input Connector

Brand: NEUTRIK

Model: NLT8MXX-BAG



Contact Resistance	≤2mΩ
Dielectric Strength	1.5 kVac
Cable Outer Diameter (mm)	8-20
Contacts	Copper alloy
Contact Plating	Silver-plated
Life Expectancy	Typically rated for 5,000 insertion cycles
Temperature Range	-33°C to 80 °C
Insulation Resistance	> 10GQ(Initial Value)
Protection Rating	IP50

Output Connector

Brand: NEUTRIK

Model: NLT4FXX-BAG



Contact Resistance	≤2mΩ
Dielectric Strength	2.8 kVac
Cable Outer Diameter (mm)	10-16
Number of Electrical Contacts	4
Contacts	Copper alloy
Contact Plating	Silver-plated
Life Expectancy	Typically rated for 5,000 insertion cycles
Temperature Range	-33°C to 80 °C
Insulation Resistance	> 10GQ(Initial Value)
Protection Rating	IP50

8-pin speaker cable

Brand: EUROCABLE

Model: LK08N40



Number of cores	8
Outer sheath colour	16
Wire outer diameter (mm)	Flexible electrolytic copper
Conductor material	4
Conductor cross-sectional area (mm ²)	Analogue signal
Signal type	-20
Minimum operating temperature (°C)	70
Maximum operating temperature (°C)	143.8

N4 series 4-pin speaker cable

N4-0.6

Length: 0.6M

Product Code: 3017005821

N4-3

Length: 3M

Product Code: 3017005822

N4-7

Length: 7M

Product Code: 3017005823

N4-15

Length: 15M

Product Code: 3017005824

N4-30

Length: 30M

Product Code: 3017005825

N4-50

Length: 50M

Product Code: 3017005826



- **Interface Configuration**

Features Neutrik connectors at both ends paired with Eurocable wiring to ensure superior connection quality

- **Durable Construction**

Flexible cabling resists bending and facilitates easy storage, ideal for touring applications

- **Environmental Adaptability**

Interfaces achieve IP54 protection rating, capable of withstanding demanding operational environments

- **Signal Integrity**

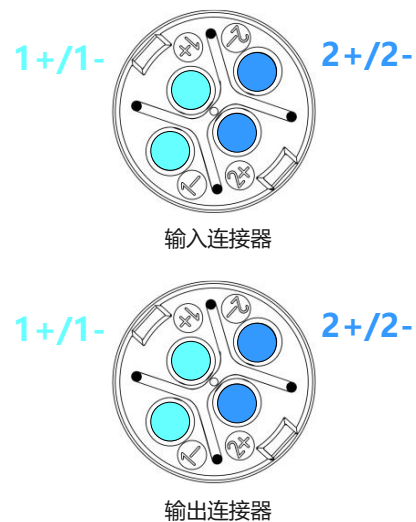
Guarantees pristine audio signal transmission from source to destination

- **Performance Unleashed**

Empowers systems to fully realise acoustic potential, delivering layered, detail-rich auditory experiences

- **Compatibility Assurance**

Engineered to meet amplifier cabinet requirements, seamlessly integrating with loudspeaker systems



PIN Spec	
4P Input	4P Output
1+	1+
1-	1-
2+	2+
2-	2-

Technical Specifications

Input / Output Connector

Brand: NEUTRIK
Model: NL4FXX-W-L



Contact Resistance	≤2mΩ
Dielectric Strength	2.8 kVac
Cable Outer Diameter (mm)	10-16
Number of Electrical Contacts	4
Contacts	Copper alloy
Contact Plating	Silver-plated
Life Expectancy	Typically rated for 5,000 insertion cycles
Temperature Range	-33°C to 80 °C
Insulation Resistance	> 10GQ(Initial Value)
Protection Rating	IP20

4-pin speaker cable

Brand: EURO-CABLE
Model: LK04N40



Number of cores	4
Outer sheath colour	Black
Wire outer diameter (mm)	13.2
Conductor material	Flexible electrolytic copper
Conductor cross-sectional area (mm ²)	4
Signal type	Analogue signal
Minimum operating temperature (°C)	-20
Maximum operating temperature (°C)	70
Weight (kg/100m)	30.8

N4 4-pin speaker adapter cable

N4F-2x4M

Product Code: 3017005820

- **Primary Functionality**

Facilitates seamless connection between RA1/RA2 cabinets, enabling flexible expansion of amplifier output.

- **Deployment Efficiency**

Standardised design streamlines installation procedures, reducing error rates and maintenance complexity while enhancing operational productivity.

- **Scenario Adaptability**

Interfaces achieve IP54 high protection rating, accommodating flexible connections for subwoofers and monitor speakers.

- **Interface Configuration**

Both ends utilise NEUTRIK connectors + EURO-CABLE wiring to ensure connection quality.

- **Compatibility Assurance**

Compatible with 4P speaker cables for speaker system distribution connections; matches RA1/RA2 amplifier cabinets,

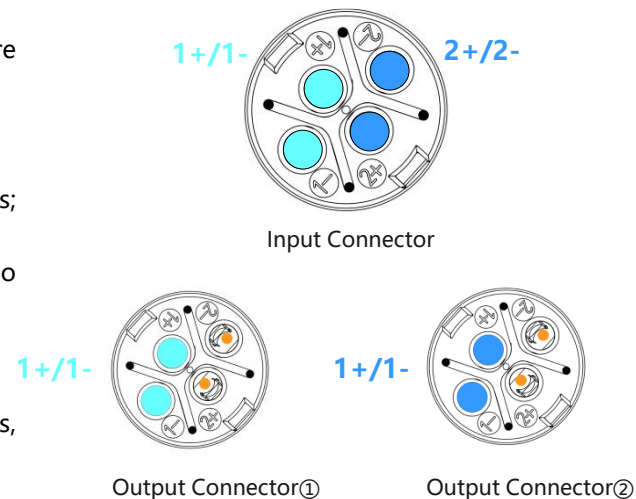
Overcoming the limitations of four-core signal 'one-to-one' transmission to enhance audio system equipment flexibility.

- **Cable Application**

Extends transmission distance to connect broader speaker arrays, accommodating complex concert rigging layouts

- **System Value**

Delivers flexible deployment and functional expansion for system construction



PIN Spec		
4P Input	4P Output①	4P Output②
1+	1+	/
1-	1-	/
2+	/	1+
2-	/	1-

Technical Specifications

Input Connector

Brand: NEUTRIK

Model: NLT4MXX-BAG



Contact Resistance	≤2mΩ
Dielectric Strength	2.8 kVac
Cable Outer Diameter (mm)	10-16
Number of Electrical Contacts	4
Contacts	Copper alloy
Contact Plating	Silver-plated
Life Expectancy	Typically rated for 5,000 insertion cycles
Temperature Range	-33°C to 80 °C
Insulation Resistance	>10GQ(Initial Value)
Protection Rating	IP54

Output

Connector

Brand: NEUTRIK

Model: NL4FXX-W-L



Contact Resistance	≤2mΩ
Dielectric Strength	2.8 kVac
Cable Outer Diameter (mm)	10-16
Number of Electrical Contacts	4
Contacts	Copper alloy
Contact Plating	Silver-plated
Life Expectancy	Typically rated for 5,000 insertion cycles
Temperature Range	-33°C to 80 °C
Insulation Resistance	>10GQ(Initial Value)
Protection Rating	IP20

4-pin speaker cable

Brand: EUROCABLE

Model: LK04N40



Number of cores	4
Outer sheath colour	Black
Wire outer diameter (mm)	13.2
Conductor material	Flexible electrolytic copper
Conductor cross-sectional area (mm ²)	4
Signal type	Analogue signal
Minimum operating temperature (°C)	-20
Maximum operating temperature (°C)	70
Weight (kg/100m)	30.8

N4 series 4-pin speaker cable

N4F-2M

Length: 2M

Product Code: 3017005829

N4F-10M

Length: 10M

Product Code: 3017005830



- **Interface Configuration**

Both ends feature NEUTRIK connectors paired with EUROCABLE wiring to ensure connection quality;

The 'one male connector + one female connector' design precisely matches four-core speaker cables

- **Environmental Adaptability**

Interfaces achieve IP54 high protection rating, withstanding demanding conditions

- **Signal Integrity**

Preserves audio signals authentically from source

- **Performance Unleashed**

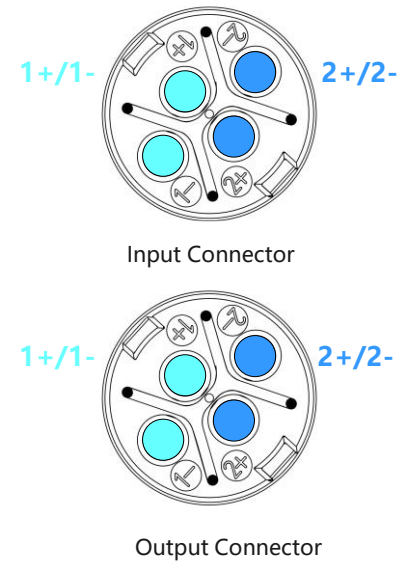
Enables systems to fully realise acoustic potential, delivering layered, detailed auditory experiences

- **Compatibility Assurance**

Engineered to meet amplifier cabinet requirements, seamlessly integrating with loudspeaker systems

- **Cable Application**

Extends transmission distances, connecting broader speaker arrays to accommodate complex concert equipment layouts



PIN Spec	
4P Input	4P Output
1+	1+
1-	1-
2+	2+
2-	2-

Technical Specifications

Input Connector

Brand: NEUTRIK

Model: NLT4MXX-BAG



Contact Resistance	≤2mΩ
Dielectric Strength	2.8 kVac
Cable Outer Diameter (mm)	10-16
Number of Electrical Contacts	4
Contacts	Copper alloy
Contact Plating	Silver-plated
Life Expectancy	Typically rated for 5,000 insertion cycles
Temperature Range	-33°C to 80 °C
Insulation Resistance	> 10GQ(Initial Value)
Protection Rating	IP54

Output Connector

Brand: NEUTRIK

Model: NLT4FXX-W-L



Contact Resistance	≤2mΩ
Dielectric Strength	2.8 kVac
Cable Outer Diameter (mm)	10-16
Number of Electrical Contacts	4
Contacts	Copper alloy
Contact Plating	Silver-plated
Life Expectancy	Typically rated for 5,000 insertion cycles
Temperature Range	-33°C to 80 °C
Insulation Resistance	> 10GQ(Initial Value)
Protection Rating	IP20

4-pin speaker cable

Brand: EUROCABLE

Model: LK04N40



Number of cores	4
Outer sheath colour	Black
Wire outer diameter (mm)	13.2
Conductor material	Flexible electrolytic copper
Conductor cross-sectional area (mm ²)	4
Signal type	Analogue signal
Minimum operating temperature (°C)	-20
Maximum operating temperature (°C)	70
Weight (kg/100m)	30.8

S series Speaker signal cable

S-0.3

Length: 0.3M

Product Code: 3017039103

S-2

Length: 2M

Product Code: 3017039117

S-5

Length: 5M

Product Code: 3017039104

S-10

Length: 10M

Product Code: 3017039105

S-30

Length: 30M

Product Code: 3017039106

- **Industry Positioning**

Universal audio interface XLR, compatible with analogue professional audio interface equipment

- **Device Compatibility**

Direct connection to microphones, mixing consoles, and amplifiers without adapters, streamlining workflow

- **Transmission Advantages**

Minimises signal loss for purity, reduces compatibility concerns, enhances setup flexibility

- **Interface Configuration**

Features NEUTRIK connectors paired with EUROCABLE flexible cabling for easy storage, high tensile strength, and suitability for touring applications

- **Cable Construction**

Features braided shielding for enhanced, precise protection against low-frequency interference, preventing audio distortion and background noise

- **Environmental Adaptability**

Interfaces meet IP40 protection rating, capable of withstanding demanding operational environments



Input Connector



Output Connector

PIN Spec

Cable Color	Input	Output
Shielding layer	1 (Ground)	1 (Ground)
Red	2 (+)	2 (+)
White / Blue	3 (-)	3 (-)

Technical Specifications

Input Connector

Brand: NEUTRIK
Model : NC3FXX-B



Contact resistance	≤3mΩ
Rated voltage	< 50V
Cable outer diameter (mm)	3.5-8
Life Expectancy	>1,000 insertion/removal cycles
Contact plating	0.2 μm gold-plated hard alloy, exceeding 2 μm nickel
Wire diameter	Maximum 2.5mm ²
Temperature range	-30°C to 80 °C
Flammability	UL 94 V-0
Protection rating	IP40

Output Connector

Brand: NEUTRIK
Model : NC3MXX-B



Contact resistance	≤3mΩ
Rated voltage	< 50V
Cable outer diameter (mm)	3.5-8
Life Expectancy	>1,000 insertion/removal cycles
Contact plating	0.2 μm gold-plated hard alloy, exceeding 2 μm nickel
Wire diameter	Maximum 2.5mm ²
Temperature range	-30°C to 80 °C
Flammability	UL 94 V-0
Protection rating	IP40

Audio Signal Cable

Brand: EUROCABLE
Model: LK02N6E



Number of Conductors	2	Conductor Stranding	30
Conductor Size (mm ²)	0.22	Conductor Material	Flexible Electrolytic Copper
Protection Rating	IP40	Maximum Conductor DCR	78 ohm/ km
Conductor-to-Conductor Capacitance	75pF/m	Conductor-to-Shield Capacitance	150 pF/m
Shield Material	Spiral Electrolytic Copper	Shielding Type	Braided Shield
Flame Retardancy	UL 94 V-0	—	—

S series 1-to-2 speaker signal cable

S-1F2×0.6M

Length: 0.6M

Product Code: 3017013510

- **Industry Positioning**

Universal audio interface XLR, compatible with analogue professional audio interface equipment

- **Device Compatibility**

Direct connection to microphones, mixing consoles, and amplifiers without adapters, streamlining workflow

- **Transmission Advantages**

Minimises signal loss for purity, reduces compatibility concerns, enhances setup flexibility

- **Interface Configuration**

Features NEUTRIK connectors paired with EURO-CABLE flexible cabling for easy storage, high tensile strength, and suitability for touring applications

- **Cable Construction**

Features braided shielding for enhanced, precise protection against low-frequency interference, preventing audio distortion and background noise

- **Environmental Adaptability**

Interfaces meet IP40 protection rating, capable of withstanding demanding operational environments



Input Connector



Output Connector

PIN Spec			
Cable Color	Input	Output①	Output②
Shielding layer	1 (Ground)	1 (Ground)	1 (Ground)
Red	2 (+)	2 (+)	2 (+)
White /Bule	3 (-)	3 (-)	3 (-)

Technical Specifications

Input Connector

Brand: NEUTRIK

Model: NC3FXX



Contact resistance	≤3mΩ
Rated voltage	< 50V
Cable outer diameter (mm)	3.5-8
Life Expectancy	>1,000 insertion/removal cycles
Contact plating	0.2 μm Ag
Wire diameter	Maximum 2.5mm ²
Temperature range	-30°C to 80 °C
Flammability	UL 94 V-0
Protection rating	IP40

Output Connector

Brand: NEUTRIK

Model : NC3MXX



Contact resistance	≤3mΩ
Rated voltage	< 50V
Cable outer diameter (mm)	3.5-8
Life Expectancy	>1,000 insertion/removal cycles
Contact plating	0.2 μm Ag
Wire diameter	Maximum 2.5mm ²
Temperature range	-30°C to 80 °C
Flammability	UL 94 V-0
Protection rating	IP40

Audio Signal Cable

Brand: EUROCABLE

Model: LK02N6E



Number of Conductors	2	Conductor Stranding	30
Conductor Size (mm ²)	0.22	Conductor Material	Flexible Electrolytic Copper
Protection Rating	IP40	Maximum Conductor DCR	78 ohm/ km
Conductor-to-Conductor Capacitance	75pF/m	Conductor-to-Shield Capacitance	150 pF/m
Shield Material	Spiral Electrolytic Copper	Shielding Type	Braided Shield
Flame Retardancy	UL 94 V-0	—	—

R-5

Length: 5M

Product Code: 3017039107

R-10

Length: 10M

Product Code: 3017039108

R-30

Length: 30M

Product Code: 3017039109

R-60

Length: 60M

Product Code: 3017039112

R-80

Length: 80M

Product Code: 3017039111

- **Scope of Application**

Connecting RA1/RA2 amplifier cabinets within audio network systems for Dante/AVB signal transmission.

- **Transmission Efficiency**

Cat.6A Category 6A network cable, reliably supporting 1000Mbps (Gigabit) speeds.

- **Technical Advantages**

Effectively mitigates near-end/far-end electromagnetic signal crosstalk with robust suppression capabilities.

- **Deployment Efficiency**

Enhances audio deployment efficiency by reducing cabling requirements

- **Interface Configuration**

Features custom Neutrik crystal connectors paired with Eurocable flexible cabling for stable transmission



Technical Specifications

Input / Output Connector

Brand: NEUTRIK

Model : NE8MX6



Dielectric Strength	1 kVdc	Transmission Performance	CAT6A, TIA/EIA
Insulation Voltage	0.5 GΩ	Power over Ethernet	PoE++ , IEEE 802.3bt standard
Cable Outer Diameter (mm)	7.0 - 9.5	Temperature Range	-40°C to80 °C
Life Expectancy	1,000 insertion/removal cycles	Stress Relief	POM
Contact Material	Gold-plated	Protection Rating	IP65

CAT6 cable

Brand: EUROCABLE

Model: LKCAT6ASTPPUR



Signal Type	Digital data	Insulation resistance (M/km)	5000
Shield Material	Tin-plated copper	Stranded wire	1
Reel Material	Polypropylene PP	Mutual capacitance (pF/m)	48
Nominal Impedance (ohms/100m)	100	Insulator material	Polyethylene
Conductor Material	Copper	Weight (kg/100 m)	8.4

G200

Length: 200M

Product Code: 3017039110

G400

Length: 400M

Product Code: 3017039113

- **Transmission Advantages**

Robust and durable fiber optic connection system with dust protection

- **Environmental Adaptability**

Waterproof rating compliant with IP65 when connected

- **Transmission Type**

Robust yet lightweight multimode fiber optic cable for mobile field applications, featuring laser and bend optimisation with metallic armour protection

- **Interface Configuration**

Compatible with standard LC dual-core fiber optic connectors, housed in a robust all-metal casing

- **Stability and Reliability**

Trustworthy push-pull locking mechanism, easy to clean without tools



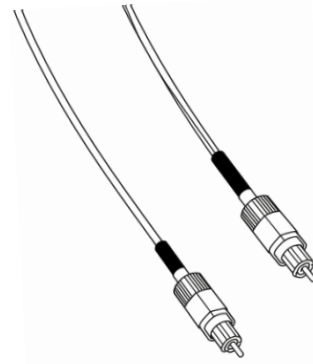
Technical Specifications

Input / Output Connector



Connection Type	Optical Control
Optical Cable Retention Force	500N
Core Material	Polyamide
Life Expectancy	>5,000 insertion/removal cycles
Insertion Force	< 45 N
Extraction Force	< 45 N
Temperature Range	-40°C to 75 °C
Insertion Loss	< 0.5 dB/ connect
Protection Rating	IP65

2-pin fiber optic cable



Inner Diameter	Multimode 50µm
Cable Retention	Polyamide-aramid yarn
Cable Structure	Armoured
Coating Diameter (µm)	125
Weight (kg/km)	82
Outer Sheath	PUR
Overall Diameter (mm)	9.2
Minimum Bending Radius (cm)	10
Outer Shielding Layer	Coated glass yarn
Number of Fibers	2

Cable Tie

Cable Tie

Spec	Small	Spec	Large
Product Code	3024000064	Product Code	3024000062

Material Black nylon, durable and tear-resistant.

Surface tech The logo is printed on the non - adhesive side (the rough side) of the male tape. The non - fuzzy female tape can firmly adhere to the male tape. It won't catch on the outer sheath of cables, clothing or the surface of other equipment. It effectively protects wires and equipment from wear and snagging problems.

Item Cable Tie

Small size L: 460mm W: 30mm logo: 100mm

Large size L: 1090mm W: 50mm logo: 165mm





REYN AUDIO

Born for music!
为乐而声!